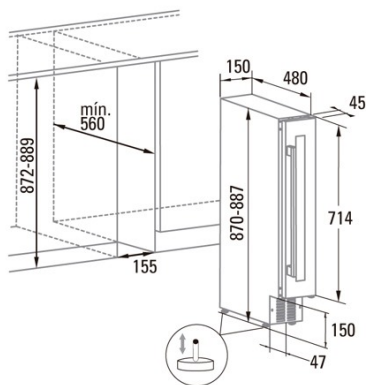




VI 15107 X

Cod. 07751006

EAN 8422248101790



GENERAL INFORMATION

EAN/UPC	8422248101790
Subfamily	Wine Cooler

Product sheet according to EU Regulation 2019/2016

Category	2
Energy consumption [kWh/year]	144
Refrigerator storage volume [l]	20
Star rating	4
Climate class	SN/N/ST
Noise emissions [dBA]	41
Installation type	Built-In

Refrigerator equipment

Number of door balconies	0
Number of glass shelves	0
Wine rack	√

Illumination

Refrigerator light	√
LED light	√

Power and water connection

Nominal voltage (V)	220-240
Nominal frequency (Hz)	50
Nominal input power (W)	60
Electric shock protection	Class I
Power cord length (m)	1,5
Plug type	Type F

Control

Control type	Electronic
Display	LED
Cooling system	No Frost

Installation

Width (mm)	150
Height (mm)	887
Depth (mm)	525
Built-in width (mm)	155
Built-in depth (mm)	560
Reversible doors	√
Door opening side	Right and Left