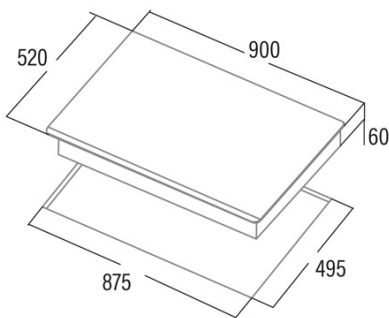
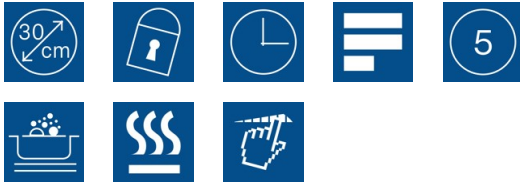




INSB 9012 BK

Cod. **08024402**

EAN **8422248109413**



GENERAL INFORMATION

| | |
|-----------|---------------|
| EAN/UPC | 8422248109413 |
| Subfamily | Induction |

Product sheet

| | |
|-------------------------------|----------------------|
| Number of cooking zones | 5 |
| Zone 1: Technology | Induction |
| Zone 1: Type of zone | Rectangular Flexible |
| Zone 1: Position | Front Left |
| Zone 1: Zone diameter (mm) | 21x20 |
| Zone 1: Power (kW) | 1,5 |
| Zone 1: Booster (kW) | 2 |
| Zone 1: Consumption (Wh / kg) | 182,9 |
| Zone 1B: Zone diameter (mm) | N/A |
| Zone 1C: Zone diameter (mm) | N/A |
| Zone 2: Technology | Induction |
| Zone 2: Type of zone | Rectangular Flexible |
| Zone 2: Position | Rear Left |
| Zone 2: Zone diameter (mm) | 21x20 |
| Zone 2: Power (kW) | 2 |
| Zone 2: Booster (kW) | 2,8 |
| Zone 2: Consumption (Wh / kg) | 182,7 |
| Zone 2B: Zone diameter (mm) | N/A |
| Zone 2C: Zone diameter (mm) | N/A |
| Zone 3: Technology | Induction |
| Zone 3: Type of zone | Simple |
| Zone 3: Position | Centre |
| Zone 3: Zone diameter (mm) | 30 |
| Zone 3: Power (kW) | 2,3 |
| Zone 3: Booster (kW) | 3 |
| Zone 3: Consumption (Wh / kg) | 216,3 |
| Zone 3B: Zone diameter (mm) | N/A |
| Zone 3C: Zone diameter (mm) | N/A |
| Zone 4: Technology | Induction |
| Zone 4: Type of zone | Rectangular Flexible |
| Zone 4: Position | Rear Right |
| Zone 4: Zone diameter (mm) | 21x20 |
| Zone 4: Power (kW) | 1,5 |
| Zone 4: Booster (kW) | 2 |
| Zone 4: Consumption (Wh / kg) | 182,9 |
| Zone 4B: Zone diameter (mm) | N/A |
| Zone 4C: Zone diameter (mm) | N/A |
| Zone 5: Technology | Induction |
| Zone 5: Type of zone | Rectangular Flexible |
| Zone 5: Position | Front Right |
| Zone 5: Zone diameter (mm) | 21x20 |
| Zone 5: Power (kW) | 2 |
| Zone 5: Booster (kW) | 2,8 |
| Zone 5: Consumption (Wh / kg) | 182,7 |
| Zone 5B: Zone diameter (mm) | N/A |
| Zone 5C: Zone diameter (mm) | N/A |
| Zone 6: Technology | N/A |
| Zone 6: Type of zone | N/A |
| Zone 6: Position | N/A |
| Zone 6: Zone diameter (mm) | N/A |
| Zone 6B: Zone diameter (mm) | N/A |
| Zone 6C: Zone diameter (mm) | N/A |

Dimensions

| | |
|-------------|-----|
| Width (mm) | 900 |
| Height (mm) | 60 |
| Depth (mm) | 520 |

| | |
|--------------------------|-----------|
| Built-in width (mm) | 875 |
| Built-in height (mm) | 56 |
| Built-in depth (mm) | 495 |
| Easy installation system | Quick Fix |

Finishing

| | |
|------------------|-------|
| Material | Glass |
| Bevel | Front |
| Frame | No |
| Cooking supports | N/A |

Control

| | |
|-----------------------------|----------------------|
| Control type | Slider Touch Control |
| Control position | Front Centre |
| Independent zone control | √ |
| Hidden control | - |
| Power levels | 9 + Booster |
| Knob type | N/A |
| Cooking time programming | √ |
| Countdown alarm | √ |
| Power management | - |
| Available power limits (kW) | 2,8/3,5 |
| Connectivity | No |
| Autoignition | N/A |

Safety

| | |
|------------------------------|-----------|
| Safety lock | √ |
| Child lock | Yes (Key) |
| Residual heat indicator | √ |
| Automatic cookware detection | √ |
| Smart cookware detection | - |
| Automatic safety shutdown | √ |
| Liquid spill detection | √ |
| Safety valve | - |

Electrical connection

| | |
|------------------------------|---------|
| Nominal voltage (V) | 220-240 |
| Nominal frequency (Hz) | 50/60 |
| Nominal input power (W) | 9 |
| Multiphase connection option | No |
| Electric shock protection | Class I |
| Power cord length (m) | 1 |
| Plug type | No plug |

Accessories

| | |
|----------------|---------|
| Barbecue grill | 3017400 |
|----------------|---------|