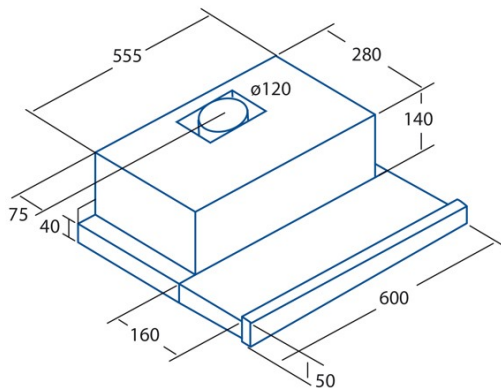




# TF-5260 WH

Cod. **02034501**

EAN **8422248082136**



## GENERAL INFORMATION

|           |               |
|-----------|---------------|
| EAN/UPC   | 8422248082136 |
| Subfamily | Telescopic    |

### Product sheet according to directives EU65/2014 - EN61591, EN60704-2-13, EN50564

|   |       |
|---|-------|
| AEC (Annual energy consumption) (kWh/year)    | 78,3  |
| EEl class (energy efficiency class)           | D     |
| FDE (fluid dynamic efficiency)                | 9     |
| FDE class (fluid dynamic efficiency class)    | E     |
| LE (light efficiency) (Lux/W)                 | 9,3   |
| LE class (light efficiency class)             | E     |
| GFE (grease filtering efficiency)             | 66,5  |
| GFE class (grease filtering efficiency class) | D     |
| Airflow in normal mode MIN (m3/h)             | 174,8 |
| Airflow in normal mode MAX (m3/h)             | 325,1 |
| Acoustic power in normal mode MIN (dB)        | 54    |
| Acoustic power in normal mode MAX (dB)        | 68    |
| Po (energy consumption in off mode) (W)       | 0     |
| Ps (energy consumption in standby mode) (W)   | 0     |

### Integration directive EU 66/2014

|  |       |
|--|-------|
| f (time increase factor)                                   | 1,7   |
| EEl (Energy Efficiency Index)                              | 93,5  |
| QBEP (maximum efficiency at air flow point) (m3/h)         | 198   |
| PBEP (maximum efficiency at pressure point) (Pa)           | 185   |
| WBEP (power consumption at maximum efficiency) (W)         | 113,3 |
| WL (nominal power lighting system) (W)                     | 11    |
| EMIDDLE (Average illuminance on the cooking surface) (lux) | 102   |

### External Dimensions

|                           |     |
|---------------------------|-----|
| Width (mm)                | 600 |
| Depth (mm)                | 280 |
| Maximum total height (mm) | 175 |
| Minimum total height (mm) | 175 |
| Diamètre de sortie (mm)   | 120 |

### Characteristics

|                                       |                   |
|---------------------------------------|-------------------|
| Motor quantity                        | 2                 |
| Motor model                           | L1N               |
| Maximum pressure (Pa)                 | 301               |
| Filter technology                     | Aluminium mesh    |
| Control technology                    | Mechanical slider |
| Booster                               | -                 |
| Power levels                          | 3                 |
| Timer                                 | -                 |
| Filter saturation indicator           | -                 |
| Charcoal filter replacement indicator | -                 |
| Dimmer function                       | -                 |
| Connectivity                          | -                 |
| Remote control                        | -                 |
| Display                               | -                 |

### Lighting

|                |          |
|----------------|----------|
| Light model    | LED E-14 |
| Ray technology | LED      |

### Installation

|   |     |
|---|-----|
| Minimum distance to electric plate (mm) | 550 |
| Minimum distance to gas plate (mm)      | 650 |
| Recirculation option                    | √   |
| Charcoal filter                         | -   |

|                      |   |
|----------------------|---|
| Back draught shutter | - |
| Inner shield         | - |

---

### Electric connection

|                           |          |
|---------------------------|----------|
| Nominal voltage (V)       | 220-240  |
| Nominal frequency (Hz)    | 50       |
| Nominal input power (W)   | 141      |
| Electric shock protection | Class II |
| Power cord length (m)     | 1,5      |
| Plug type                 | Type C   |

---

### Accessories

|                                 |         |
|---------------------------------|---------|
| Upper decorative duct extension | No      |
| White decorative duct           | No      |
| Black decorative duct           | No      |
| Island tube booster             | No      |
| Back draught shutter            | 2849002 |
| MAX PRO Metal filter            | No      |
| Activated charcoal filter       | 2846762 |
| Noiseless flexible duct         | No      |
| Recirculation kit               | No      |

---