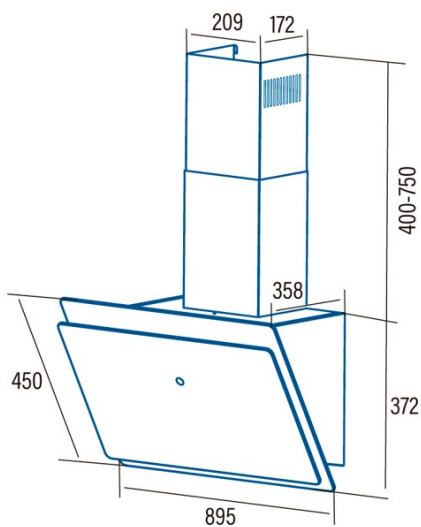




# WANDA 900 XGWH

Cod. **02059010**

EAN **8422248102339**



## GENERAL INFORMATION

|           |               |
|-----------|---------------|
| EAN/UPC   | 8422248102339 |
| Subfamily | Angle Glass   |

### Product sheet according to directives EU65/2014 - EN61591, EN60704-2-13, EN50564

|   |        |
|---|--------|
| AEC (Annual energy consumption) (kWh/year)    | 14,94  |
| EEl class (energy efficiency class)           | AP     |
| FDE (fluid dynamic efficiency)                | 31,01  |
| FDE class (fluid dynamic efficiency class)    | A      |
| LE (light efficiency) (Lux/W)                 | 54,6   |
| LE class (light efficiency class)             | A      |
| GFE (grease filtering efficiency)             | 78     |
| GFE class (grease filtering efficiency class) | C      |
| Airflow in normal mode MIN (m3/h)             | 234,1  |
| Airflow in normal mode MAX (m3/h)             | 522,81 |
| Acoustic power in normal mode MIN (dB)        | 35     |
| Acoustic power in normal mode MAX (dB)        | 61,8   |
| Po (energy consumption in off mode) (W)       | 0,45   |

### Integration directive EU 66/2014

|  |        |
|--|--------|
| f (time increase factor)                                   | 0,883  |
| EEl (Energy Efficiency Index)                              | 38,6   |
| QBEP (maximum efficiency at air flow point) (m3/h)         | 248,01 |
| PBEP (maximum efficiency at pressure point) (Pa)           | 178,05 |
| WBEP (power consumption at maximum efficiency) (W)         | 39,55  |
| WL (nominal power lighting system) (W)                     | 3      |
| EMIDDLE (Average illuminance on the cooking surface) (lux) | 163,8  |

### External Dimensions

|                           |      |
|---------------------------|------|
| Width (mm)                | 895  |
| Depth (mm)                | 358  |
| Maximum total height (mm) | 1122 |
| Minimum total height (mm) | 772  |
| Diamètre de sortie (mm)   | 150  |

### Characteristics

|                                       |                          |
|---------------------------------------|--------------------------|
| Motor quantity                        | 1                        |
| Motor model                           | BLDC                     |
| Maximum pressure (Pa)                 | 430                      |
| Free out airflow (m3/h)               | 1000                     |
| Filter technology                     | Aluminium mesh           |
| Control technology                    | Electronic Touch Control |
| Booster                               | -                        |
| Power levels                          | 9                        |
| Timer                                 | √                        |
| Filter saturation indicator           | -                        |
| Charcoal filter replacement indicator | -                        |
| Dimmer function                       | -                        |
| Connectivity                          | -                        |
| Remote control                        | -                        |
| Display                               | Display                  |

### Lighting

|                |     |
|----------------|-----|
| Ray technology | LED |
|----------------|-----|

### Installation

|   |          |
|---|----------|
| Minimum distance to electric plate (mm) | 650      |
| Minimum distance to gas plate (mm)      | 650      |
| Recirculation option                    | √        |
| Charcoal filter                         | -        |
| Back draught shutter                    | Included |

Inner shield -

---

**Electric connection**

|                           |         |
|---------------------------|---------|
| Nominal voltage (V)       | 220-240 |
| Nominal frequency (Hz)    | 50/60   |
| Nominal input power (W)   | 73      |
| Electric shock protection | Class I |
| Plug type                 | Type F  |

---

**Accessories**

|                                 |          |
|---------------------------------|----------|
| Upper decorative duct extension | No       |
| White decorative duct           | No       |
| Black decorative duct           | No       |
| Island tube booster             | No       |
| Back draught shutter            | Included |
| MAX PRO Metal filter            | No       |
| Activated charcoal filter       | 2859492  |
| Noiseless flexible duct         | 2893002  |
| Recirculation kit               | 2894400  |

---