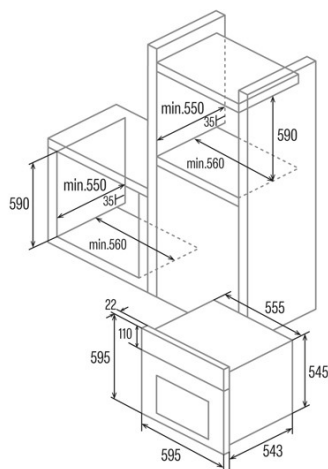




# MES 8007 X

Cod. 07044609

EAN 8422248347716



## GENERAL INFORMATION

|           |               |
|-----------|---------------|
| EAN/UPC   | 8422248347716 |
| Subfamily | Multifunction |

## Product sheet

|   |             |
|---|-------------|
| Energy Efficiency Index (EEl)                       | 86,6        |
| Energy efficiency class                             | A           |
| Energy consumption in conventional mode (kWh/cycle) | 0,85        |
| Energy consumption in fan mode (kWh/cycle)          | 0,84        |
| Heat source   | Electricity |
| Appliance mass [Kg]                                 | 29,4        |
| Number of cavities                                  | 1           |
| Cavity volume (L)                                   | 80          |

## Dimensions

|             |     |
|-------------|-----|
| Width (mm)  | 556 |
| Height (mm) | 545 |
| Depth (mm)  | 550 |

## Controls

|                          |  |
|--------------------------|--|
| Control type             | Mechanical   |
| Display                  | No   |
| Number of functions      | 7  |
| Functions                | Grill;Defrosting;Bottom heating with fan;Top and bottom heating with fan;Grill and fan;Top and bottom heating;Top heating with fan |
| Timer                    | Mechanical   |
| On/off indicator         | √  |
| Minimum temperature [°C] | 40   |
| Maximum temperature [°C] | 240  |

## Characteristics

|                        |      |
|------------------------|------|
| Cleaning               | No   |
| Removable inner glass  | √    |
| Light type             | LED  |
| Number of light bulbs  | 15   |
| Bulb power [W]         | 1    |
| Number of door glasses | 2    |
| Manual door lock       | √    |
| Soft close             | -    |
| Cavity type            | Flat |
| Side racks             | √    |
| Levels                 | 6    |
| Telescopic guides      | 1    |
| Convection fan         | √    |

## Safety

|             |   |
|-------------|---|
| Cooling fan | √ |
|-------------|---|

## Electrical connection

|                         |         |
|-------------------------|---------|
| Nominal voltage (V)     | 220-240 |
| Nominal frequency (Hz)  | 50/60   |
| Nominal input power (W) | 2300    |
| Power cord length (m)   | 1,5     |

## Accessories

|                   |   |
|-------------------|---|
| Flat tray         | √ |
| Deep tray         | √ |
| Grill             | √ |
| Telescopic guides | √ |

