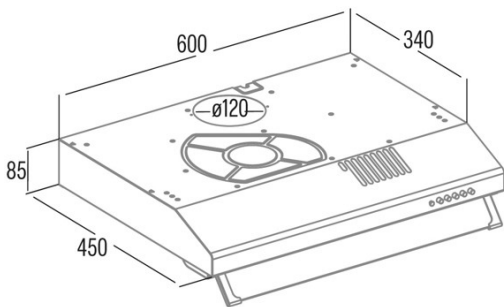




LF-2060 X

Cod. 02011317

EAN 8422248105231



GENERAL INFORMATION

EAN/UPC	8422248105231
Subfamily	Conventional

Product sheet according to directives EU65/2014 - EN61591, EN60704-2-13, EN50564

AEC (Annual energy consumption) (kWh/year)	45,1
EEl class (energy efficiency class)	C
FDE (fluid dynamic efficiency)	9,4
FDE class (fluid dynamic efficiency class)	E
LE (light efficiency) (Lux/W)	14,5
LE class (light efficiency class)	D
GFE (grease filtering efficiency)	79,6
GFE class (grease filtering efficiency class)	C
Airflow in normal mode MIN (m3/h)	107,5
Airflow in normal mode MAX (m3/h)	195,6
Acoustic power in normal mode MIN (dB)	56
Acoustic power in normal mode MAX (dB)	69
Po (energy consumption in off mode) (W)	0
Ps (energy consumption in standby mode) (W)	0

Integration directive EU 66/2014

f (time increase factor)	1,7
EEl (Energy Efficiency Index)	82,4
QBEP (maximum efficiency at air flow point) (m3/h)	116,2
PBEP (maximum efficiency at pressure point) (Pa)	192
WBEP (power consumption at maximum efficiency) (W)	66,2
WL (nominal power lighting system) (W)	5,5
EMIDDLE (Average illuminance on the cooking surface) (lux)	80

External Dimensions

Width (mm)	600
Depth (mm)	452
Maximum total height (mm)	85
Minimum total height (mm)	85
Diamètre de sortie (mm)	120

Characteristics

Motor quantity	1
Motor model	L1N
Maximum pressure (Pa)	325
Filter technology	Aluminium mesh
Control technology	Mechanical push button
Booster	-
Power levels	3
Timer	-
Filter saturation indicator	-
Charcoal filter replacement indicator	-
Dimmer function	-
Connectivity	-
Remote control	-
Display	-

Lighting

Light model	FSL LED
Ray technology	LED

Installation

Minimum distance to electric plate (mm)	550
Minimum distance to gas plate (mm)	650
Recirculation option	√
Charcoal filter	-

Back draught shutter	-
Inner shield	-

Electric connection

Nominal voltage (V)	220-240
Nominal frequency (Hz)	50
Nominal input power (W)	65,5
Electric shock protection	Class I
Plug type	No plug

Accessories

Upper decorative duct extension	No
White decorative duct	No
Black decorative duct	No
Island tube booster	No
Back draught shutter	2849002
Activated charcoal filter	2846764
