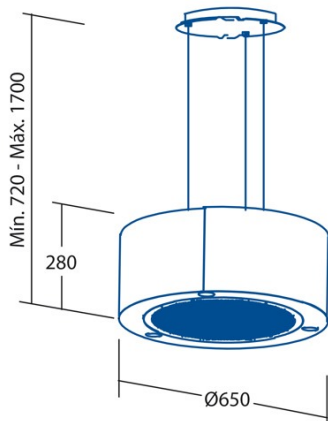




# ISLA MAGRABA

Cod. 02119207

EAN 8422248069342



## GENERAL INFORMATION

EAN/UPC	8422248069342
Subfamily	Island

## Product sheet according to directives EU65/2014 - EN61591, EN60704-2-13, EN50564

AEC (Annual energy consumption) (kWh/year)	97,1
EEl class (energy efficiency class)	C
FDE (fluid dynamic efficiency)	15,7
FDE class (fluid dynamic efficiency class)	D
LE (light efficiency) (Lux/W)	14,3
LE class (light efficiency class)	D
GFE (grease filtering efficiency)	91,2
GFE class (grease filtering efficiency class)	B
Airflow in normal mode MIN (m3/h)	300
Airflow in normal mode MAX (m3/h)	645
Acoustic power in normal mode MIN (dB)	48
Acoustic power in normal mode MAX (dB)	63
Po (energy consumption in off mode) (W)	0,26
Ps (energy consumption in standby mode) (W)	0

## Integration directive EU 66/2014

f (time increase factor)	1,4
EEl (Energy Efficiency Index)	84,1
QBEP (maximum efficiency at air flow point) (m3/h)	385,1
PBEP (maximum efficiency at pressure point) (Pa)	253
WBEP (power consumption at maximum efficiency) (W)	172,1
WL (nominal power lighting system) (W)	10,5
EMIDDLE (Average illuminance on the cooking surface) (lux)	150

## External Dimensions

Width (mm)	650
Depth (mm)	650
Maximum total height (mm)	1700
Minimum total height (mm)	720

## Characteristics

Motor quantity	1
Motor model	BT2
Maximum pressure (Pa)	400
Filter technology	Aluminium mesh
Control technology	PANEL ELECTRONICO
Booster	-
Power levels	3
Timer	√
Filter saturation indicator	-
Charcoal filter replacement indicator	-
Dimmer function	-
Connectivity	-
Remote control	-
Display	-

## Lighting

Light model	ECOLED 2
Ray technology	LED

## Installation

Minimum distance to electric plate (mm)	650
Minimum distance to gas plate (mm)	650
Recirculation option	√
Charcoal filter	-
Back draught shutter	-

Inner shield -

---

**Electric connection**

---

Nominal voltage (V)	220-240
Nominal frequency (Hz)	50
Nominal input power (W)	210,5
Electric shock protection	Class II
Plug type	No plug

---

**Accessories**

---

Upper decorative duct extension	No
White decorative duct	No
Black decorative duct	No
Island tube booster	No
Back draught shutter	No
MAX PRO Metal filter	No
Activated charcoal filter	No
Noiseless flexible duct	No
Recirculation kit	No

---