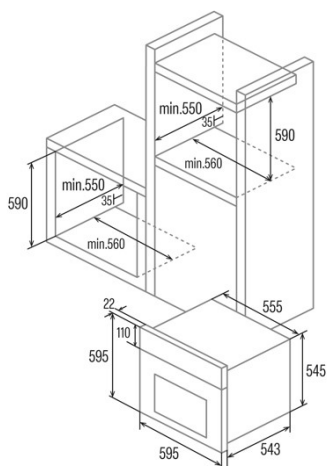




# MDS 8008 X AIR FRYER

Cod. 07001509

EAN 8422248347846



## GENERAL INFORMATION

EAN/UPC	8422248347846
Subfamily	Multifunction

## Product sheet

Energy Efficiency Index (EEI)	117
Energy efficiency class	A
Energy consumption in conventional mode (kWh/cycle)	0,85
Energy consumption in fan mode (kWh/cycle)	0,84
Heat source	Electricity
Appliance mass [Kg]	30,9
Number of cavities	1
Cavity volume (L)	80

## Dimensions

Width (mm)	556
Height (mm)	545
Depth (mm)	550

## Controls

Control type	Mechanical
Display	WHITE
Number of functions	8
Functions	Top_and_bottom_heating_with_fan;Top and bottom heating;Turbo heating;Defrosting;Bottom heating;Grill and fan;Grill;3D cooking
Timer	Electronic
On/off indicator	√
Minimum temperature [°C]	40
Maximum temperature [°C]	240

## Characteristics

Cleaning	Aquasmart
Enamel	Grey
Removable inner glass	√
Light type	LED
Number of light bulbs	1,5
Bulb power [W]	1
Number of door glasses	2
Manual door lock	√
Soft close	-
Cavity type	Flat
Side racks	√
Levels	5
Telescopic guides	1
Convection fan	√

## Safety

Cooling fan	√
Pyrolysis door lock	-
Pyrolysis lock indicator	-

## Electrical connection

Power of the upper heating element [W]	900
Nominal voltage (V)	220-240
Nominal frequency (Hz)	50/60
Power cord length (m)	1,5

## Accessories

Flat tray	√
Deep tray	√

---

Grill	√
Telescopic guides	√

---