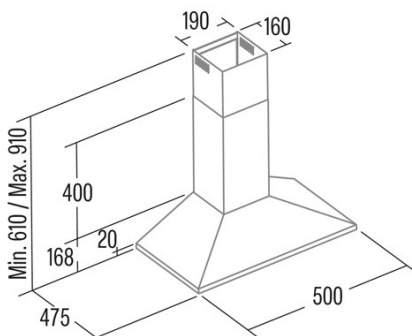




V-500 INOX

Cod. **02088303**

EAN **8422248087315**



GENERAL INFORMATION

| | |
|-----------|---------------|
| EAN/UPC | 8422248087315 |
| Subfamily | Chimney |

Product sheet according to directives EU65/2014 - EN61591, EN60704-2-13, EN50564

| | |
|---|------|
| AEC (Annual energy consumption) (kWh/year) | 53,7 |
| EEl class (energy efficiency class) | C |
| FDE (fluid dynamic efficiency) | 10,3 |
| FDE class (fluid dynamic efficiency class) | E |
| LE (light efficiency) (Lux/W) | 8,4 |
| LE class (light efficiency class) | E |
| GFE (grease filtering efficiency) | 71,4 |
| GFE class (grease filtering efficiency class) | D |
| Airflow in normal mode MIN (m3/h) | 210 |
| Airflow in normal mode MAX (m3/h) | 420 |
| Acoustic power in normal mode MIN (dB) | 53 |
| Acoustic power in normal mode MAX (dB) | 65 |
| Po (energy consumption in off mode) (W) | 0 |
| Ps (energy consumption in standby mode) (W) | 0 |

Integration directive EU 66/2014

| | |
|--|-------|
| f (time increase factor) | 1,6 |
| EEl (Energy Efficiency Index) | 84,4 |
| QBEP (maximum efficiency at air flow point) (m3/h) | 220 |
| PBEP (maximum efficiency at pressure point) (Pa) | 130 |
| WBEP (power consumption at maximum efficiency) (W) | 76,9 |
| WL (nominal power lighting system) (W) | 11 |
| EMIDDLE (Average illuminance on the cooking surface) (lux) | 208,8 |

External Dimensions

| | |
|---------------------------|----------|
| Width (mm) | 500 |
| Depth (mm) | 475 |
| Maximum total height (mm) | 910 |
| Minimum total height (mm) | 610 |
| Diamètre de sortie (mm) | 150, 125 |

Characteristics

| | |
|---------------------------------------|------------------------|
| Motor quantity | 1 |
| Motor model | K7PLUS |
| Maximum pressure (Pa) | 200 |
| Filter technology | Aluminium mesh |
| Control technology | Mechanical push button |
| Booster | - |
| Power levels | 3 |
| Timer | - |
| Filter saturation indicator | - |
| Charcoal filter replacement indicator | - |
| Dimmer function | - |
| Connectivity | - |
| Remote control | - |
| Display | - |

Lighting

| | |
|----------------|----------|
| Light model | LED E-14 |
| Ray technology | LED |

Installation

| | |
|---|-----|
| Minimum distance to electric plate (mm) | 650 |
| Minimum distance to gas plate (mm) | 650 |
| Recirculation option | √ |
| Charcoal filter | - |

| | |
|----------------------|---|
| Back draught shutter | - |
| Inner shield | - |

Electric connection

| | |
|---------------------------|----------|
| Nominal voltage (V) | 220-240 |
| Nominal frequency (Hz) | 50 |
| Nominal input power (W) | 106 |
| Electric shock protection | Class II |
| Power cord length (m) | 1,5 |
| Plug type | Type C |

Accessories

| | |
|---------------------------------|---------|
| Upper decorative duct extension | 2862302 |
| White decorative duct | No |
| Black decorative duct | No |
| Island tube booster | No |
| Back draught shutter | 2832004 |
| MAX PRO Metal filter | 2800917 |
| Activated charcoal filter | 2859394 |
| Noiseless flexible duct | 2893002 |
| Recirculation kit | No |
