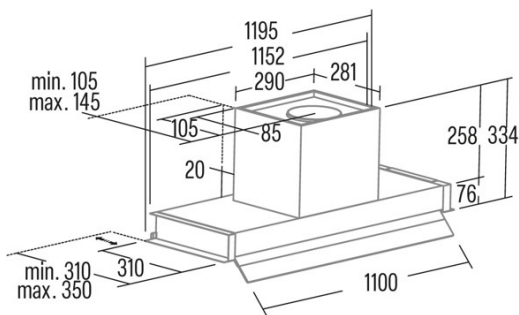
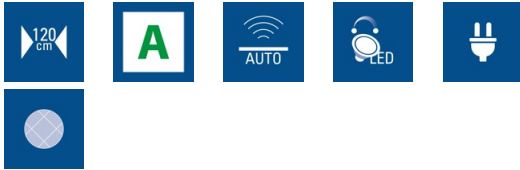




CORONA X NO DRIP 120

Cod. **02181310**

EAN **8422248370783**



GENERAL INFORMATION

EAN/UPC	8422248370783
Subfamily	Integrated

Product sheet according to directives EU65/2014 - EN61591, EN60704-2-13, EN50564

AEC (Annual energy consumption) (kWh/year)	54,9
EEl class (energy efficiency class)	A
FDE (fluid dynamic efficiency)	29,2
FDE class (fluid dynamic efficiency class)	A
LE (light efficiency) (Lux/W)	22,3
LE class (light efficiency class)	B
GFE (grease filtering efficiency)	69,5
GFE class (grease filtering efficiency class)	D
Airflow in normal mode MIN (m3/h)	272,4
Airflow in normal mode MAX (m3/h)	608,9
Airflow in boost mode MIN (m3/h)	766
Acoustic power in normal mode MIN (dB)	54
Acoustic power in normal mode MAX (dB)	69
Acoustic power boost mode (dB)	71
Po (energy consumption in off mode) (W)	0,39
Ps (energy consumption in standby mode) (W)	0

Integration directive EU 66/2014

f (time increase factor)	0,9
EEl (Energy Efficiency Index)	52,2
QBEP (maximum efficiency at air flow point) (m3/h)	437,8
PBEP (maximum efficiency at pressure point) (Pa)	385
WBEP (power consumption at maximum efficiency) (W)	160,5
WL (nominal power lighting system) (W)	3
EMIDDLE (Average illuminance on the cooking surface) (lux)	67

External Dimensions

Width (mm)	1195
Depth (mm)	310
Maximum total height (mm)	334
Minimum total height (mm)	334
Diamètre de sortie (mm)	150

Characteristics

Motor quantity	1
Motor model	BT5AC
Maximum pressure (Pa)	450
Filter technology	Malla
Control technology	Electronic Touch Control
Booster	√
Power levels	4
Timer	√
Filter saturation indicator	√
Charcoal filter replacement indicator	√
Dimmer function	√
Connectivity	Auto
Remote control	-
Display	Display

Lighting

Light model	SSLED
Ray technology	LED

Installation

Minimum distance to electric plate (mm)	550
Minimum distance to gas plate (mm)	650

Recirculation option	√
Charcoal filter	√
Back draught shutter	No
Inner shield	-

Electric connection

Nominal voltage (V)	220-240
Nominal frequency (Hz)	50/60
Nominal input power (W)	286
Electric shock protection	Class II
Power cord length (m)	1100
Plug type	No plug

Accessories

Upper decorative duct extension	02861306
Black decorative duct	02861307
Back draught shutter	02832004
Activated charcoal filter	02859398
Noiseless flexible duct	02893002
Recirculation kit	02800013
