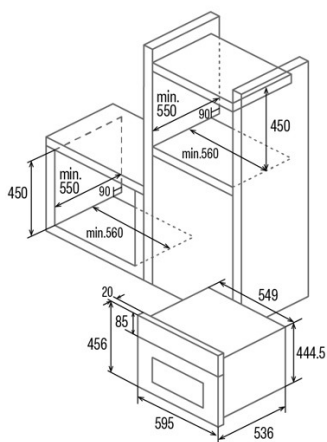




MD 5007 WH

Cod. 07003003

EAN 8422248372893



GENERAL INFORMATION

EAN/UPC	8422248372893
Subfamily	Turbo

Product sheet

Energy Efficiency Index (EEI)	97,2
Energy efficiency class	A
Energy consumption in fan mode (kWh/cycle)	0,76
Heat source	Electricity
Number of cavities	1
Cavity volume (L)	44

Controls

Control type	Mechanical
Number of functions	7
Functions	Top_and_bottom_heating_with_fan;Double grill with fan;Grill;Top and bottom heating;Double Grill
Timer	Electronic

Characteristics

Enamel	Pyrolytic
Light type	LED
Bulb power [W]	1
Number of door glasses	3

Electrical connection

Turbocharger power [W]	2380
Nominal voltage (V)	220-240
Nominal frequency (Hz)	50/60
Nominal input power (W)	2000
Electric shock protection	Class I

Accessories

Deep tray	√
-----------	---