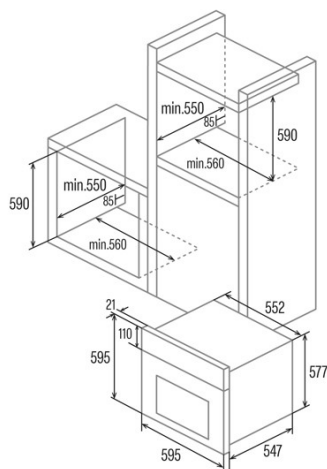




SES 7104 X

Cod. **07044350**

EAN **8422248347297**



GENERAL INFORMATION

| | |
|-----------|---------------|
| EAN/UPC | 8422248347297 |
| Subfamily | Static |

Product sheet

| | |
|---|-------------|
| Energy Efficiency Index (EEI) | 95,2 |
| Energy efficiency class | A |
| Energy consumption in conventional mode (kWh/cycle) | 0,78 |
| Heat source | Electricity |
| Number of cavities | 1 |
| Cavity volume (L) | 65 |

Dimensions

| | |
|----------------------|-----|
| Width (mm) | 595 |
| Height (mm) | 595 |
| Depth (mm) | 561 |
| Built-in width (mm) | 560 |
| Built-in height (mm) | 580 |
| Built-in depth (mm) | 586 |

Controls

| | |
|--------------------------|---|
| Control type | Mechanical |
| Display | No |
| Number of functions | 4 |
| Functions | Light;Grill;Bottom heating;Top and bottom heating |
| Timer | Mechanical |
| On/off indicator | √ |
| Minimum temperature [°C] | 50 |
| Maximum temperature [°C] | 250 |

Characteristics

| | |
|------------------------|------------------|
| Cleaning | Aquasmart Manual |
| Enamel | Black |
| Removable inner glass | √ |
| Light type | LED |
| Number of light bulbs | 15 |
| Bulb power [W] | 1 |
| Number of door glasses | 2 |
| Manual door lock | √ |
| Soft close | - |
| Side racks | √ |
| Levels | 5 |
| Telescopic guides | No |
| Convection fan | - |

Safety

| | |
|-------------|---|
| Cooling fan | √ |
|-------------|---|

Electrical connection

| | |
|--|------------|
| Power of the upper heating element [W] | 1350 + 900 |
| Lower power of the heating element [W] | 1200 |
| Nominal voltage (V) | 220-240 |
| Nominal frequency (Hz) | 50/60 |
| Nominal input power (W) | 2300 |
| Power cord length (m) | 0,9 |
| Plug type | No plug |

Accessories

| | |
|------------|---|
| Flat tray | - |
| Deep tray | √ |
| Steam tray | - |

| | |
|-------------------|---|
| Grill | √ |
| Inner grill | - |
| Telescopic guides | - |
| Tray handle | - |
| Removable tank | - |
| Pizza stone | - |
| Roast kit | - |