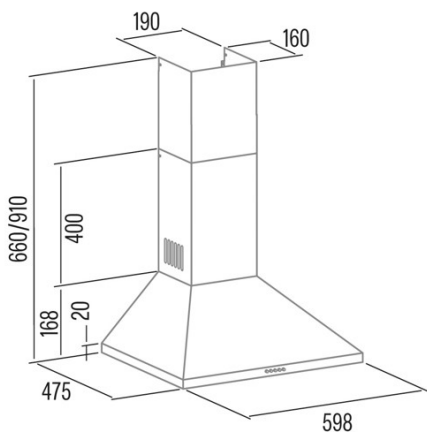




# V-6000 X

Cod. **02002397**

EAN **8422248106351**



## GENERAL INFORMATION

EAN/UPC	8422248106351
Subfamily	Chimney

## Product sheet according to directives EU65/2014 - EN61591, EN60704-2-13, EN50564

AEC (Annual energy consumption) (kWh/year)	537
EEl class (energy efficiency class)	C
FDE (fluid dynamic efficiency)	103
FDE class (fluid dynamic efficiency class)	E
LE (light efficiency) (Lux/W)	84
LE class (light efficiency class)	E
GFE (grease filtering efficiency)	714
GFE class (grease filtering efficiency class)	D
Airflow in normal mode MIN (m3/h)	210
Airflow in normal mode MAX (m3/h)	420
Acoustic power in normal mode MIN (dB)	53
Acoustic power in normal mode MAX (dB)	65
Po (energy consumption in off mode) (W)	0
Ps (energy consumption in standby mode) (W)	0

## Integration directive EU 66/2014

f (time increase factor)	1,6
EEl (Energy Efficiency Index)	844
QBEP (maximum efficiency at air flow point) (m3/h)	220
PBEP (maximum efficiency at pressure point) (Pa)	130
WBEP (power consumption at maximum efficiency) (W)	769
WL (nominal power lighting system) (W)	11
EMIDDLE (Average illuminance on the cooking surface) (lux)	2088

## External Dimensions

Width (mm)	598
Depth (mm)	475
Maximum total height (mm)	910
Minimum total height (mm)	660
Diamètre de sortie (mm)	150, 125

## Characteristics

Motor quantity	1
Filter technology	Aluminium mesh
Control technology	Mechanical push button
Booster	-
Timer	-
Filter saturation indicator	-
Charcoal filter replacement indicator	-
Dimmer function	-
Connectivity	No
Remote control	-
Display	-

## Lighting

Light model	LED E-14
Ray technology	LED

## Installation

Minimum distance to electric plate (mm)	650
Minimum distance to gas plate (mm)	650
Recirculation option	√
Charcoal filter	-
Back draught shutter	-
Inner shield	-

**Electric connection**

Nominal voltage (V)	220-240
Nominal frequency (Hz)	50
Nominal input power (W)	106
Electric shock protection	Class I

**Accessories**

Upper decorative duct extension	02862302
MAX PRO Metal filter	02800917
Activated charcoal filter	02859394
Noiseless flexible duct	02893002