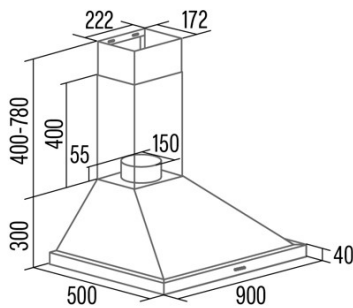




# BETA PRO 9000 X

Cod. **02075416**

EAN **8422248371513**



## GENERAL INFORMATION

EAN/UPC	8422248371513
Subfamily	Chimney

### Product sheet according to directives EU65/2014 - EN61591, EN60704-2-13, EN50564

AEC (Annual energy consumption) (kWh/year)	68,1
EEl class (energy efficiency class)	A
FDE (fluid dynamic efficiency)	29,3
FDE class (fluid dynamic efficiency class)	A
LE (light efficiency) (Lux/W)	28
LE class (light efficiency class)	A
GFE (grease filtering efficiency)	75,9
GFE class (grease filtering efficiency class)	C
Airflow in normal mode MIN (m3/h)	411
Airflow in normal mode MAX (m3/h)	561
Airflow in boost mode MIN (m3/h)	979
Acoustic power in normal mode MIN (dB)	64
Acoustic power in normal mode MAX (dB)	72
Acoustic power boost mode (dB)	75
Po (energy consumption in off mode) (W)	0
Ps (energy consumption in standby mode) (W)	0,48

### Integration directive EU 66/2014

f (time increase factor)	0,9
EEl (Energy Efficiency Index)	53,7
QBEP (maximum efficiency at air flow point) (m3/h)	482,8
PBEP (maximum efficiency at pressure point) (Pa)	434
WBEP (power consumption at maximum efficiency) (W)	198,6
WL (nominal power lighting system) (W)	4
EMIDDLE (Average illuminance on the cooking surface) (lux)	112,5

### External Dimensions

Width (mm)	900
Depth (mm)	500
Maximum total height (mm)	1080
Minimum total height (mm)	700
Diamètre de sortie (mm)	150

### Characteristics

Motor quantity	1
Motor model	A1000
Maximum pressure (Pa)	474,33
Control technology	PANEL ELECTRONICO DISPLAY DIGITAL
Power levels	3

### Lighting

Light model	ECOLED
Ray technology	LED

### Installation

Minimum distance to electric plate (mm)	550
Minimum distance to gas plate (mm)	650
Back draught shutter	Included

### Electric connection

Nominal voltage (V)	220-240
Nominal frequency (Hz)	50
Nominal input power (W)	380
Electric shock protection	Class I

## Accessories

---

Back draught shutter

02800706

---