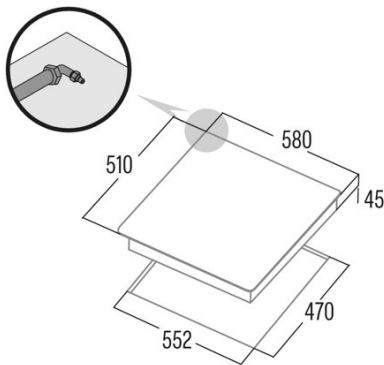




LGD 631A

Cod. **08066002**

EAN **8422248058735**



GENERAL INFORMATION

EAN/UPC	8422248058735
Subfamily	Gas

Product sheet

Number of cooking zones	4
Zone 1: Technology	GAS
Zone 1: Type of zone	Triple
Zone 1: Position	Right
Zone 1: Power (kW)	3,5
Zone 2: Technology	GAS
Zone 2: Type of zone	Rapid
Zone 2: Position	Left
Zone 2: Power (kW)	3
Zone 3: Technology	GAS
Zone 3: Type of zone	Semirapid
Zone 3: Position	Rear Centre
Zone 3: Power (kW)	1,75
Zone 4: Technology	GAS
Zone 4: Type of zone	Auxiliary
Zone 4: Position	Front Centre
Zone 4: Power (kW)	1

Dimensions

Width (mm)	580
Height (mm)	45
Depth (mm)	510
Built-in width (mm)	552
Built-in depth (mm)	470
Easy installation system	Clamping System

Finishing

Material	Stainless Steel
Bevel	No
Frame	No
Cooking supports	Cast Iron

Control

Control type	Mechanical
Control position	Front Centre
Independent zone control	√
Hidden control	-
Power levels	Gradual
Cooking time programming	-
Countdown alarm	-
Power management	-
Available power limits (kW)	No
Connectivity	No
Autoignition	220-240V

Safety

Safety lock	-
Child lock	No
Residual heat indicator	-
Automatic cookware detection	-
Smart cookware detection	-
Automatic safety shutdown	-
Liquid spill detection	-
Safety valve	√

Electrical connection

Nominal voltage (V)	220-240
---------------------	---------

Nominal frequency (Hz)	50/60
Nominal input power (W)	9,25
Multiphase connection option	2 phases
Electric shock protection	Class I
Plug type	No plug

Accessories

Barbecue grill	No
----------------	----
