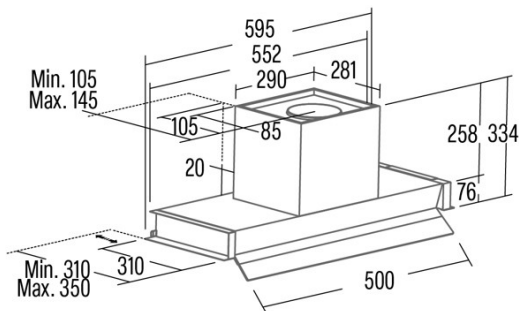




# ARONA 60 BK

Cod. **02186411**

EAN **8422248372145**



## GENERAL INFORMATION

|           |               |
|-----------|---------------|
| EAN/UPC   | 8422248372145 |
| Subfamily | Integrated    |

### Product sheet according to directives EU65/2014 - EN61591, EN60704-2-13, EN50564

|   |       |
|---|-------|
| AEC (Annual energy consumption) (kWh/year)    | 54,9  |
| EEl class (energy efficiency class)           | A     |
| FDE (fluid dynamic efficiency)                | 29,2  |
| FDE class (fluid dynamic efficiency class)    | A     |
| LE (light efficiency) (Lux/W)                 | 23,7  |
| LE class (light efficiency class)             | B     |
| GFE (grease filtering efficiency)             | 93,5  |
| GFE class (grease filtering efficiency class) | B     |
| Airflow in normal mode MIN (m3/h)             | 272,4 |
| Airflow in normal mode MAX (m3/h)             | 608,9 |
| Airflow in boost mode MIN (m3/h)              | 766   |
| Acoustic power in normal mode MIN (dB)        | 54    |
| Acoustic power in normal mode MAX (dB)        | 69    |
| Acoustic power boost mode (dB)                | 71    |
| Po (energy consumption in off mode) (W)       | 0,39  |
| Ps (energy consumption in standby mode) (W)   | 0     |

### Integration directive EU 66/2014

|  |       |
|--|-------|
| f (time increase factor)                                   | 0,9   |
| EEl (Energy Efficiency Index)                              | 52,2  |
| QBEP (maximum efficiency at air flow point) (m3/h)         | 437,8 |
| PBEP (maximum efficiency at pressure point) (Pa)           | 385   |
| WBEP (power consumption at maximum efficiency) (W)         | 160,5 |
| WL (nominal power lighting system) (W)                     | 3     |
| EMIDDLE (Average illuminance on the cooking surface) (lux) | 71    |

### External Dimensions

|                           |     |
|---------------------------|-----|
| Width (mm)                | 595 |
| Depth (mm)                | 310 |
| Maximum total height (mm) | 334 |
| Minimum total height (mm) | 334 |
| Diamètre de sortie (mm)   | 150 |

### Characteristics

|                             |                          |
|-----------------------------|--------------------------|
| Motor quantity              | 1                        |
| Motor model                 | BT5AC                    |
| Maximum pressure (Pa)       | 473,3                    |
| Filter technology           | Malla                    |
| Control technology          | Electronic Touch Control |
| Booster                     | √                        |
| Power levels                | 4                        |
| Timer                       | √                        |
| Filter saturation indicator | √                        |
| Dimmer function             | √                        |
| Connectivity                | Auto                     |
| Remote control              | -                        |
| Display                     | Display                  |

### Lighting

|                |       |
|----------------|-------|
| Light model    | SSLED |
| Ray technology | LED   |

### Installation

|   |     |
|---|-----|
| Minimum distance to electric plate (mm) | 550 |
| Minimum distance to gas plate (mm)      | 650 |
| Recirculation option                    | √   |

|                      |    |
|----------------------|----|
| Charcoal filter      | √  |
| Back draught shutter | No |
| Inner shield         | -  |

---

**Electric connection**

|                           |          |
|---------------------------|----------|
| Nominal voltage (V)       | 220-240  |
| Nominal frequency (Hz)    | 50       |
| Nominal input power (W)   | 283      |
| Electric shock protection | Class II |
| Power cord length (m)     | 1100     |
| Plug type                 | No plug  |

---

**Accessories**

|                                 |          |
|---------------------------------|----------|
| Upper decorative duct extension | 02861306 |
| Black decorative duct           | 02861307 |
| Back draught shutter            | 02832004 |
| Activated charcoal filter       | 02859398 |
| Noiseless flexible duct         | 02893002 |
| Recirculation kit               | 02800013 |

---