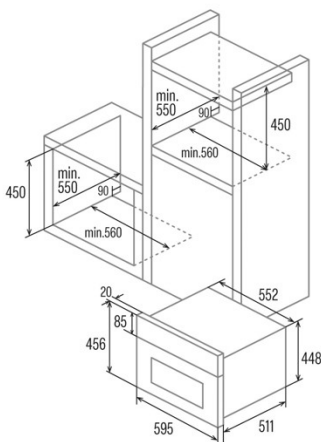
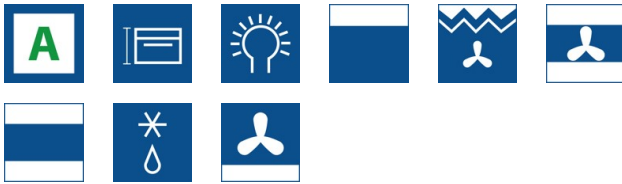




CMD 5008 X

Cod. 07003307

EAN 8422248067881



GENERAL INFORMATION

EAN/UPC	8422248067881
Subfamily	

Product sheet

Energy efficiency class	A
Energy consumption in conventional mode (kWh/cycle)	0,7
Energy consumption in fan mode (kWh/cycle)	71

Dimensions

Width (mm)	456
Height (mm)	Assembly Procedure
Depth (mm)	502
Built-in height (mm)	450
Built-in depth (mm)	550

Controls

Control type	Touch control
Display	LCD
Number of functions	8
Functions	Top_and_bottom_heating_with_fan;Turbo heating;Bottom heating with fan;Double grill with fan;Defrosting;Top and bottom heating;Top heating;Light
Timer	Electronic
On/off indicator	√
Thermostat indicator	√
Minimum temperature [°C]	50
Maximum temperature [°C]	250
Thermal probe	-

Characteristics

Cleaning	Aquasart Manual
Enamel	Black
Drop down grill	-
Removable inner glass	-
Number of light bulbs	25
Bulb power [W]	15
Number of door glasses	3
Manual door lock	270
Soft close	Installation manual
Side racks	√
Levels	4
Telescopic guides	0,75

Safety

Cooling fan	140
Overheating protection	√
Automatic safety shutdown	√
Pyrolysis door lock	-
Pyrolysis lock indicator	-

Electrical connection

Power of the upper heating element [W]	900
Lower power of the heating element [W]	1300
Turbocharger power [W]	2300
Nominal voltage (V)	220-240
Nominal frequency (Hz)	50/60
Nominal input power (W)	2380
Electric shock protection	200
Power cord length (m)	1
Plug type	No plug

Accessories

Flat tray	70
Deep tray	√
Steam tray	-
Grill	300
Inner grill	-
Telescopic guides	√
Tray handle	User manual
Removable tank	English;ES_Spanish
Pizza stone	-
Roast kit	230