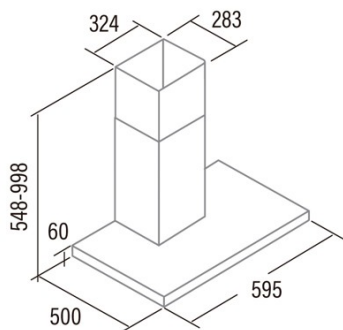




ST-6000 X

Cod. **02060309**

EAN **8422248108683**



GENERAL INFORMATION

EAN/UPC	8422248108683
Subfamily	Box

Product sheet according to directives EU65/2014 - EN61591, EN60704-2-13, EN50564

AEC (Annual energy consumption) (kWh/year)	36,1
EEI class (energy efficiency class)	C
FDE (fluid dynamic efficiency)	9,84
FDE class (fluid dynamic efficiency class)	E
LE (light efficiency) (lux/W)	39,6
LE class (light efficiency class)	A
GFE (grease filtering efficiency)	72,14
GFE class (grease filtering efficiency class)	D
Airflow in normal mode MIN (m3/h)	166
Airflow in normal mode MAX (m3/h)	292
Acoustic power in normal mode MIN (dB)	58
Acoustic power in normal mode MAX (dB)	62,4
Po (energy consumption in off mode) (W)	0

Integration directive EU 66/2014

f (time increase factor)	1,7
EEI (Energy Efficiency Index)	75,4
QBEP (maximum efficiency at air flow point) (m3/h)	171
PBEP (maximum efficiency at pressure point) (Pa)	114,29
WBEP (power consumption at maximum efficiency) (W)	57,27
WL (nominal power lighting system) (W)	2
EMIDDLE (Average illuminance on the cooking surface) (lux)	79

External Dimensions

Width (mm)	600
Depth (mm)	500
Maximum total height (mm)	998
Minimum total height (mm)	548
Diamètre de sortie (mm)	150

Characteristics

Motor quantity	1
Motor model	TT300
Filter technology	Aluminium mesh
Control technology	Mechanical push button
Booster	-
Power levels	3
Timer	-
Filter saturation indicator	-
Charcoal filter replacement indicator	-
Dimmer function	-
Connectivity	No
Remote control	-
Display	-

Lighting

Light model	ECOLED STRIP
Ray technology	LED

Installation

Minimum distance to electric plate (mm)	65
Minimum distance to gas plate (mm)	65
Recirculation option	√
Charcoal filter	-
Back draught shutter	Included
Inner shield	-

Electric connection

Nominal voltage (V)	220-240
Nominal frequency (Hz)	50/60
Nominal input power (W)	67
Electric shock protection	Class I
Plug type	Type C

Accessories

Upper decorative duct extension	'02863305
Back draught shutter	Yes
Activated charcoal filter	02859495
Noiseless flexible duct	02893002