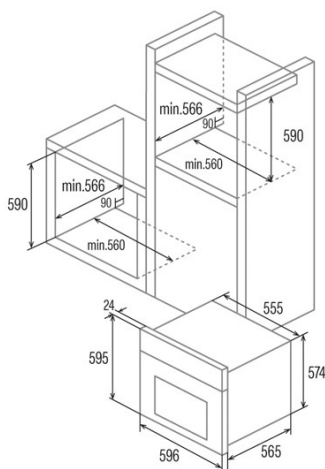
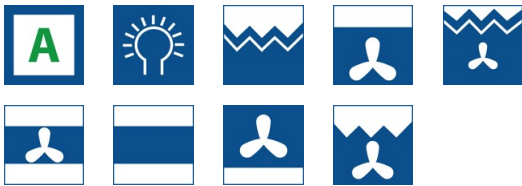




MRA 7108 WH

Cod. 07035009

EAN 8422248077033



GENERAL INFORMATION

EAN/UPC	8422248077033
Subfamily	Multifunction

Product sheet

Energy efficiency class	A
Energy consumption in conventional mode (kWh/cycle)	0,76
Energy consumption in fan mode (kWh/cycle)	0,75
Heat source	Electricity
Appliance mass [Kg]	28
Cavity volume (L)	60

Dimensions

Width (mm)	595
Height (mm)	595
Depth (mm)	565
Built-in width (mm)	560
Built-in height (mm)	590
Built-in depth (mm)	566

Controls

Control type	Mechanical
Display	No
Number of functions	7
Functions	Light;Top heating with fan;Bottom heating and fan;Top and bottom heating with fan;Top and bottom heating;Grill and fan;Double_grill;Double grill with fan
Timer	Mechanical
On/off indicator	-
Thermostat indicator	√
Minimum temperature [°C]	40
Maximum temperature [°C]	Ovens
Thermal probe	-

Characteristics

Cleaning	No
Enamel	Black
Drop down grill	-
Removable inner glass	√
Number of light bulbs	15
Bulb power [W]	1
Number of door glasses	2
Manual door lock	-
Soft close	-
Cavity type	Flat
Side racks	√
Levels	5
Telescopic guides	No
Convection fan	√

Safety

Cooling fan	√
Overheating protection	√
Automatic safety shutdown	√
Pyrolysis door lock	-
Pyrolysis lock indicator	-

Electrical connection

Power of the upper heating element [W]	1000
--	------

Lower power of the heating element [W]	1200
Nominal voltage (V)	220-240
Nominal frequency (Hz)	50/60
Nominal input power (W)	2300
Power cord length (m)	1,25
Plug type	Type F

Accessories

Flat tray	√
Deep tray	√
Steam tray	-
Grill	√
Inner grill	-
Telescopic guides	-
Tray handle	-
Removable tank	-
Pizza stone	-
Roast kit	-
Lateral grill	640