

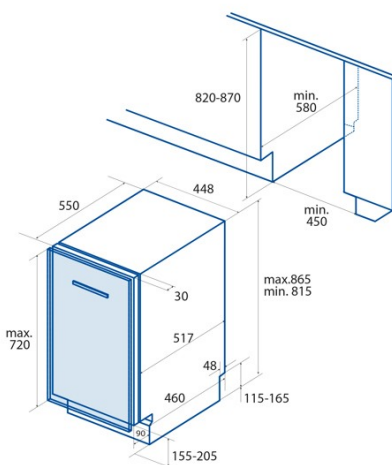


LVI 46009

Cod. 07200008

EAN 8422248096843

2



GENERAL INFORMATION

| | |
|-----------|---------------|
| EAN/UPC | 8422248096843 |
| Subfamily | Built-in |

Power connection

| | |
|---------------------------|---------|
| Nominal voltage (V) | 220-240 |
| Nominal frequency (Hz) | 50 |
| Nominal input power (W) | 2100 |
| Electric shock protection | Class I |
| Power cord length (m) | 1,5 |
| Plug type | Type F |

Product sheet according to EU Regulation 2019/2022 - 2019/2017

| | |
|------------------------------------|----------|
| Default placement settings | 10 |
| Energy efficiency class | E |
| Energy consumption in off mode [W] | 0,49 |
| Noise level [dBA] | 49 |
| Installation type | Built_in |

Control panel

| | |
|-----------------------------|--------------------|
| Control type | Soft Touch Buttons |
| Display | LED |
| Salt control indicator | √ |
| Rinse aid control indicator | √ |
| Start delay | 3-6-9-12h |
| Remaining time indicator | - |
| Start/Pause | - |

Programmes and functions

| | |
|--------------------------------|-------------|
| Number of programmes | 5 |
| Programme 1 - Name | Intensive |
| Programme 1 - Temperature (°C) | 60 |
| Programme 1 - Duration (mins.) | 205 |
| Programme 2 - Name | Normal |
| Programme 2 - Temperature (°C) | 55 |
| Programme 2 - Duration (mins.) | 175 |
| Programme 3 - Name | Eco |
| Programme 3 - Temperature (°C) | 45 |
| Programme 3 - Duration (mins.) | 235 |
| Programme 4 - Name | Express 90' |
| Programme 4 - Temperature (°C) | 65 |
| Programme 4 - Duration (mins.) | 90 |
| Programme 5 - Name | Quick 30' |
| Programme 5 - Temperature (°C) | 45 |
| Programme 5 - Duration (mins.) | 30 |
| Programme 6 - Name | N/A |
| Programme 7 - Name | N/A |
| Programme 8 - Name | N/A |
| Programme 9 - Name | N/A |
| Programme 10 - Name | N/A |
| Programme 11 - Name | N/A |
| Programme 12 - Name | N/A |

Power and water connection

| | |
|--------------------------------|---------|
| Nominal voltage (V) | 220-240 |
| Nominal frequency (Hz) | 50 |
| Nominal input power (W) | 2100 |
| Electric shock protection | Class I |
| Power cord length (m) | 1,5 |
| Plug type | Type F |
| Inlet water hose length (m) | 1500 |
| Drainage water hose length (m) | 1600 |

Installation

| | |
|--------------------------|-----|
| Width (mm) | 448 |
| Min. height (mm) | 815 |
| Max. height (mm) | 865 |
| Depth (mm) | 550 |
| Adjustable height | √ |
| Built-in width (mm) | 450 |
| Inner height (mm) | 820 |
| Built-in depth (mm) | 580 |
| Maximum door height (mm) | 720 |
| Sliding door | - |