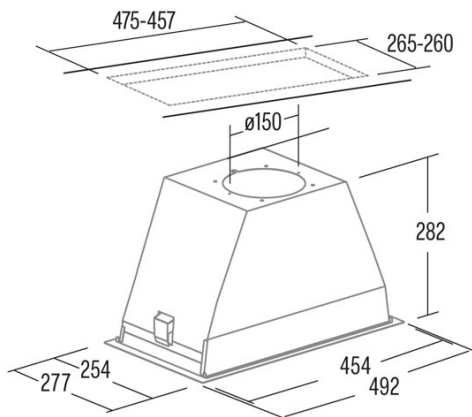




GT-PLUS 45 WH

Cod. **02030005**

EAN **8422248190398**



GENERAL INFORMATION

EAN/UPC	8422248190398
Subfamily	Insert

Product sheet according to directives EU65/2014 - EN61591, EN60704-2-13, EN50564

AEC (Annual energy consumption) (kWh/year)	886
EEl class (energy efficiency class)	C
FDE (fluid dynamic efficiency)	163
FDE class (fluid dynamic efficiency class)	D
LE (light efficiency) (Lux/W)	292
LE class (light efficiency class)	A
GFE (grease filtering efficiency)	912
GFE class (grease filtering efficiency class)	B
Airflow in normal mode MIN (m3/h)	300
Airflow in normal mode MAX (m3/h)	645
Acoustic power in normal mode MIN (dB)	50
Acoustic power in normal mode MAX (dB)	65
Po (energy consumption in off mode) (W)	0
Ps (energy consumption in standby mode) (W)	0

Integration directive EU 66/2014

f (time increase factor)	1,4
EEl (Energy Efficiency Index)	811
QBEP (maximum efficiency at air flow point) (m3/h)	358,1
PBEP (maximum efficiency at pressure point) (Pa)	270
WBEP (power consumption at maximum efficiency) (W)	164,9
WL (nominal power lighting system) (W)	6
EMIDDLE (Average illuminance on the cooking surface) (lux)	202

External Dimensions

Width (mm)	492
Depth (mm)	277
Maximum total height (mm)	282
Minimum total height (mm)	282
Diamètre de sortie (mm)	150, 125

Characteristics

Motor quantity	1
Motor model	BT2
Maximum pressure (Pa)	400
Filter technology	Aluminium mesh
Control technology	Mechanical push button
Booster	-
Power levels	3
Timer	-
Filter saturation indicator	-
Charcoal filter replacement indicator	-
Dimmer function	-
Connectivity	No
Remote control	-
Display	-

Lighting

Light model	SSLED
Ray technology	LED

Installation

Minimum distance to electric plate (mm)	550
Minimum distance to gas plate (mm)	650
Recirculation option	√
Charcoal filter	-

Back draught shutter	-
Inner shield	-

Electric connection

Nominal voltage (V)	220-240
Nominal frequency (Hz)	50
Nominal input power (W)	206
Electric shock protection	Class II
Power cord length (m)	15
Plug type	Type C

Accessories

Back draught shutter	02832004
Activated charcoal filter	02859398
Noiseless flexible duct	02893002
