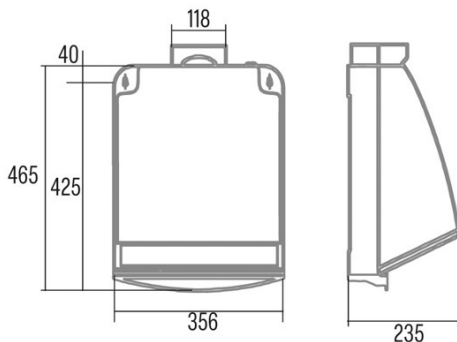




## PROFESSIONAL-750

Cod. 00117000

EAN 8422248100816



### GENERAL INFORMATION

EAN/UPC	8422248100816
Subfamily	Kitchen Extractor

### Product sheet according to directives EU65/2014 - EN61591, EN60704-2-13, EN50564

AEC (Annual energy consumption) (kWh/year)	57
EEL class (energy efficiency class)	D
FDE (fluid dynamic efficiency)	8,7
FDE class (fluid dynamic efficiency class)	E
LE class (light efficiency class)	N_A
GFE (grease filtering efficiency)	53,7
GFE class (grease filtering efficiency class)	F
Airflow in normal mode MAX (m3/h)	600
Acoustic power in normal mode MAX (dB)	49
Po (energy consumption in off mode) (W)	0
Ps (energy consumption in standby mode) (W)	0

### Integration directive EU 66/2014

f (time increase factor)	1,7
EEL (Energy Efficiency Index)	86
QBEP (maximum efficiency at air flow point) (m3/h)	278,9
PBEP (maximum efficiency at pressure point) (Pa)	102,9
WBEP (power consumption at maximum efficiency) (W)	91,9

### External Dimensions

Width (mm)	356
Depth (mm)	235
Minimum total height (mm)	650
Diamètre de sortie (mm)	118

### Characteristics

Motor quantity	1
Maximum pressure (Pa)	190
Free out airflow (m3/h)	600
Filter technology	Malla
Booster	-
Timer	-
Filter saturation indicator	-
Charcoal filter replacement indicator	-
Remote control	-

### Installation

Minimum distance to electric plate (mm)	65
Minimum distance to gas plate (mm)	650
Recirculation option	-
Charcoal filter	-
Back draught shutter	-
Inner shield	-

### Electric connection

Nominal voltage (V)	230
Nominal frequency (Hz)	50
Nominal input power (W)	105
Electric shock protection	Class I
Power cord length (m)	0,5
Plug type	No plug

### Accessories

Upper decorative duct extension	N_A
White decorative duct	N_A
Black decorative duct	N_A

Island tube booster	N_A
Back draught shutter	N_A
MAX PRO Metal filter	N_A
Activated charcoal filter	N_A
Noiseless flexible duct	N_A
Recirculation kit	N_A