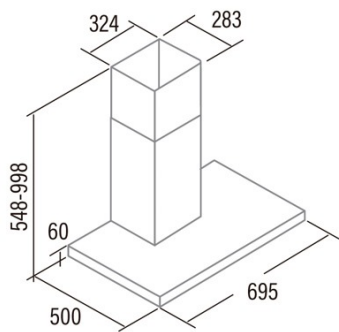




# ST-7000 X

Cod. **02021309**

EAN **8422248108690**



## GENERAL INFORMATION

EAN/UPC	8422248108690
Subfamily	Box

### Product sheet according to directives EU65/2014 - EN61591, EN60704-2-13, EN50564

AEC (Annual energy consumption) (kWh/year)	36
EEl class (energy efficiency class)	C
FDE (fluid dynamic efficiency)	9,84
FDE class (fluid dynamic efficiency class)	E
LE (light efficiency) (lux/W)	38,9
LE class (light efficiency class)	A
GFE (grease filtering efficiency)	70,11
GFE class (grease filtering efficiency class)	D
Airflow in normal mode MIN (m3/h)	161
Airflow in normal mode MAX (m3/h)	294
Acoustic power in normal mode MIN (dB)	58
Acoustic power in normal mode MAX (dB)	63,5
Po (energy consumption in off mode) (W)	0

### Integration directive EU 66/2014

<i>f</i> (time increase factor)	1,7
EEl (Energy Efficiency Index)	75
QBEP (maximum efficiency at air flow point) (m3/h)	172,17
PBEP (maximum efficiency at pressure point) (Pa)	118,37
WBEP (power consumption at maximum efficiency) (W)	57,55
WL (nominal power lighting system) (W)	2
EMIDDLE (Average illuminance on the cooking surface) (lux)	78

### External Dimensions

Width (mm)	700
Depth (mm)	500
Maximum total height (mm)	998
Minimum total height (mm)	548
Diamètre de sortie (mm)	150

### Characteristics

Motor quantity	1
Motor model	TT300
Filter technology	Aluminium mesh
Control technology	Mechanical push button
Booster	-
Power levels	3
Timer	-
Filter saturation indicator	-
Charcoal filter replacement indicator	-
Dimmer function	-
Connectivity	No
Remote control	-
Display	-

### Lighting

Light model	ECOLED STRIP
Ray technology	LED

### Installation

Minimum distance to electric plate (mm)	65
Minimum distance to gas plate (mm)	65
Recirculation option	√
Charcoal filter	-
Back draught shutter	Included
Inner shield	-

**Electric connection**

Nominal voltage (V)	220-240
Nominal frequency (Hz)	50/60
Nominal input power (W)	67
Electric shock protection	Class I
Plug type	Type C

**Accessories**

Upper decorative duct extension	'02863305
Back draught shutter	Yes
Activated charcoal filter	02859495
Noiseless flexible duct	02893002