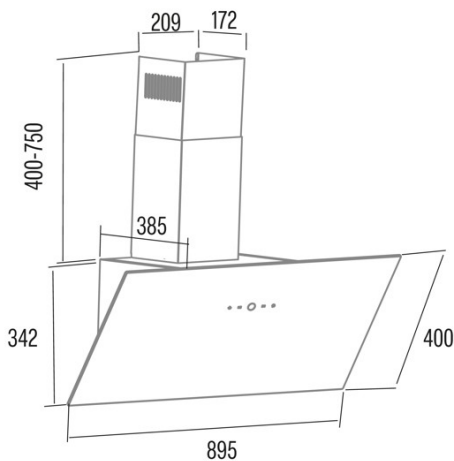




# LENA 900 XGBK

Cod. **02059403**

EAN **8422248108089**



## GENERAL INFORMATION

EAN/UPC	8422248108089
Subfamily	Angle Glass

## Product sheet according to directives EU65/2014 - EN61591, EN60704-2-13, EN50564

AEC (Annual energy consumption) (kWh/year)	48,3
EEL class (energy efficiency class)	B
FDE (fluid dynamic efficiency)	19,6
FDE class (fluid dynamic efficiency class)	C
LE (light efficiency) (Lux/W)	21
LE class (light efficiency class)	B
GFE (grease filtering efficiency)	66,3
GFE class (grease filtering efficiency class)	D
Airflow in normal mode MIN (m3/h)	2851
Airflow in normal mode MAX (m3/h)	4548
Acoustic power in normal mode MIN (dB)	48
Acoustic power in normal mode MAX (dB)	58
Po (energy consumption in off mode) (W)	0,48

## Integration directive EU 66/2014

f (time increase factor)	1,3
EEL (Energy Efficiency Index)	68,9
QBEP (maximum efficiency at air flow point) (m3/h)	245,1
PBEP (maximum efficiency at pressure point) (Pa)	276
WBEP (power consumption at maximum efficiency) (W)	95,7
WL (nominal power lighting system) (W)	3,9
EMIDDLE (Average illuminance on the cooking surface) (lux)	81

## Characteristics

Motor quantity	1
Filter technology	Aluminium mesh
Control technology	Electronic Touch Control
Power levels	3
Timer	√
Filter saturation indicator	-
Charcoal filter replacement indicator	-
Dimmer function	√
Connectivity	No
Remote control	-
Display	Display

## Lighting

Light model	ECOLED
Ray technology	LED

## Electric connection

Nominal voltage (V)	220-240
Nominal frequency (Hz)	60
Nominal input power (W)	120
Electric shock protection	Class I
Plug type	Type F

## Accessories

Back draught shutter	B30-TG18-015-JB (2pcs included)
Activated charcoal filter	Big Round carbon filter B15-TF08-097-JB (optional)

