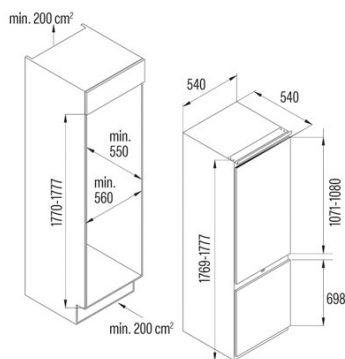




CATA CI-54177 ST

Cod. **07800078**

EAN **8422248350945**



GENERAL INFORMATION

| | |
|-----------|---------------|
| EAN/UPC | 8422248350945 |
| Subfamily | Combi |

Product sheet according to EU Regulation 2019/2016

| | |
|---------------------------------|----------|
| Category | 7 |
| Energy efficiency class | E |
| Energy consumption [kWh/year] | 216 |
| Refrigerator storage volume [l] | 179 |
| Freezer storage volume [l] | 70 |
| Star rating | 4 |
| Frost-free fridge | - |
| Frost-free freezer | - |
| Power cut safety [h] | 10 |
| Freezing capacity [kg/24h] | 3,2 |
| Climate class | N/ST |
| Noise emissions [dBA] | 39 |
| Installation type | Built-In |

Refrigerator equipment

| | |
|------------------------------|-----|
| Number of door balconies | 3 |
| Number of glass shelves | 3 |
| Wine rack | - |
| Fruit and vegetable drawer | 1 |
| Meat and fish chiller | 0 |
| Metallic interior decoration | - |
| Number of egg trays | 1 |
| Egg capacity | 1-6 |

Freezer equipment

| | |
|-------------------|------|
| Number of drawers | 3 |
| Ice trays | 1 |
| Ice cube capacity | 1-12 |

Illumination

| | |
|--------------------|---|
| Refrigerator light | √ |
| Freezer light | - |
| LED light | √ |

Power and water connection

| | |
|---------------------------|---------|
| Nominal voltage (V) | 220-240 |
| Nominal frequency (Hz) | 50 |
| Nominal input power (W) | 115 |
| Electric shock protection | Class I |
| Power cord length (m) | 1600 |
| Plug type | Type F |

Control

| | |
|---|------------|
| Control type | Electronic |
| Display | No |
| Cooling system | Static |
| Electronic regulation of refrigerator temperature | √ |
| Electronic regulation of freezer temperature | - |
| Super cooling function | √ |
| Super freezing function | √ |
| Public holiday celebration | - |
| Winter-summer function | - |

Installation

| | |
|-------------|------|
| Width (mm) | 540 |
| Height (mm) | 1777 |
| Depth (mm) | 540 |

| | |
|-------------------|------|
| Reversible doors | √ |
| Wheels | - |
| Door opening side | Left |