



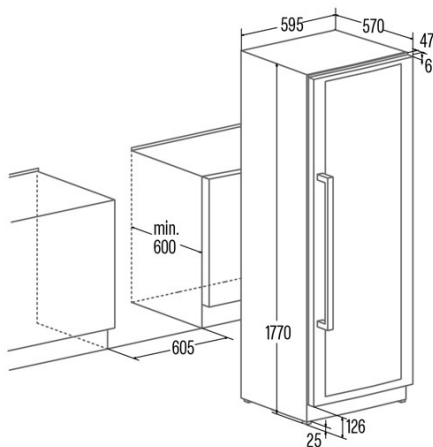
VI 59177 FS BK

Cod. 07751011

EAN 8422248371599



LED



GENERAL INFORMATION

EAN/UPC	8422248371599
Subfamily	Wine Cooler

Product sheet according to EU Regulation 2019/2016

Category	2
Energy efficiency class	G
Energy consumption [kWh/year]	168
Refrigerator storage volume [l]	328
Climate class	SN/N/ST
Noise emissions [dBA]	41
Installation type	Free Standing

Illumination

LED light	√
-----------	---

Power and water connection

Nominal voltage (V)	220-240
Nominal frequency (Hz)	50
Nominal input power (W)	90
Power cord length (m)	1,5
Plug type	Type F

Control

Control type	Electronic
Display	LED

Installation

Width (mm)	595
Height (mm)	1770
Depth (mm)	570