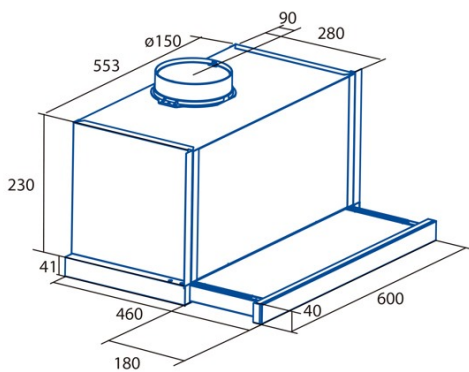




TFH-7600 X

Cod. **02010305**

EAN **8422248069588**



GENERAL INFORMATION

EAN/UPC	8422248069588
Subfamily	Telescopic

Product sheet according to directives EU65/2014 - EN61591, EN60704-2-13, EN50564

AEC (Annual energy consumption) (kWh/year)	32,2
EEL class (energy efficiency class)	A
FDE (fluid dynamic efficiency)	28,5
FDE class (fluid dynamic efficiency class)	A
LE (light efficiency) (Lux/W)	36
LE class (light efficiency class)	A
GFE (grease filtering efficiency)	91,2
GFE class (grease filtering efficiency class)	B
Airflow in normal mode MIN (m3/h)	200
Airflow in normal mode MAX (m3/h)	645
Acoustic power in normal mode MIN (dB)	40
Acoustic power in normal mode MAX (dB)	64
Acoustic power boost mode (dB)	67
Po (energy consumption in off mode) (W)	0,45
Ps (energy consumption in standby mode) (W)	0

Integration directive EU 66/2014

f (time increase factor)	1
EEL (Energy Efficiency Index)	52,8
QBEP (maximum efficiency at air flow point) (m3/h)	348,4
PBEP (maximum efficiency at pressure point) (Pa)	224
WBEP (power consumption at maximum efficiency) (W)	76,1
WL (nominal power lighting system) (W)	7
EMIDDLE (Average illuminance on the cooking surface) (lux)	252

External Dimensions

Width (mm)	600
Depth (mm)	280
Maximum total height (mm)	271
Minimum total height (mm)	271
Diamètre de sortie (mm)	150, 125

Characteristics

Motor quantity	1
Motor model	BTDCA
Maximum pressure (Pa)	455
Filter technology	Aluminium mesh
Control technology	PANEL ELECTRONICO DISPLAY DIGITAL
Booster	√
Power levels	5
Timer	√
Filter saturation indicator	√
Charcoal filter replacement indicator	-
Dimmer function	√
Connectivity	-
Remote control	-
Display	Display_grafico

Lighting

Light model	EcoLed
Ray technology	LED

Installation

Minimum distance to electric plate (mm)	550
Minimum distance to gas plate (mm)	650

Recirculation option	√
Charcoal filter	-
Back draught shutter	-
Inner shield	√

Electric connection

Nominal voltage (V)	220-240
Nominal frequency (Hz)	50
Nominal input power (W)	137
Electric shock protection	Class II
Power cord length (m)	1,5
Plug type	Type C

Accessories

Upper decorative duct extension	No
White decorative duct	No
Black decorative duct	No
Island tube booster	No
Back draught shutter	2832004
MAX PRO Metal filter	No
Activated charcoal filter	2825263
Noiseless flexible duct	2893002
Recirculation kit	No