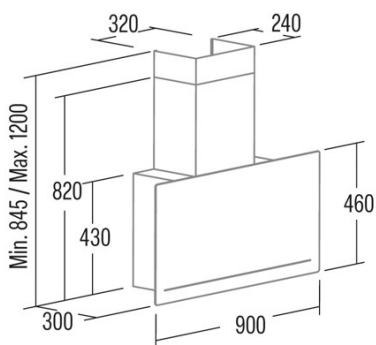




# GOYA 70 WH CATA&ROCA

Cod. 02127004

EAN 8422248106139



## GENERAL INFORMATION

EAN/UPC	8422248106139
Subfamily	Angle Glass

## Product sheet according to directives EU65/2014 - EN61591, EN60704-2-13, EN50564

AEC (Annual energy consumption) (kWh/year)	14,5
EEL class (energy efficiency class)	A+++
FDE (fluid dynamic efficiency)	39,7
FDE class (fluid dynamic efficiency class)	A
LE (light efficiency) (Lux/W)	26,3
LE class (light efficiency class)	B
GFE (grease filtering efficiency)	75,5
GFE class (grease filtering efficiency class)	C
Airflow in normal mode MIN (m3/h)	200
Airflow in normal mode MAX (m3/h)	605
Airflow in boost mode MIN (m3/h)	825
Acoustic power in normal mode MIN (dB)	40
Acoustic power in normal mode MAX (dB)	69
Acoustic power boost mode (dB)	67
Po (energy consumption in off mode) (W)	0,4
Ps (energy consumption in standby mode) (W)	0

## Integration directive EU 66/2014

f (time increase factor)	0,6
EEL (Energy Efficiency Index)	29,3
QBEP (maximum efficiency at air flow point) (m3/h)	259,7
PBEP (maximum efficiency at pressure point) (Pa)	326,2
WBEP (power consumption at maximum efficiency) (W)	59,2
WL (nominal power lighting system) (W)	3
EMIDDLE (Average illuminance on the cooking surface) (lux)	79

## External Dimensions

Width (mm)	700
Depth (mm)	300
Maximum total height (mm)	1160
Minimum total height (mm)	845
Diamètre de sortie (mm)	150, 125

## Characteristics

Motor quantity	1
Motor model	BT4DC
Maximum pressure (Pa)	357
Filter technology	Aluminium mesh
Control technology	Electronic Touch Control
Booster	√
Power levels	5
Timer	√
Filter saturation indicator	√
Charcoal filter replacement indicator	-
Dimmer function	√
Connectivity	-
Remote control	-
Display	Display_grafico

## Lighting

Light model	SSLED
Ray technology	LED

## Installation

Minimum distance to electric plate (mm)	530
Minimum distance to gas plate (mm)	650

Recirculation option	√
Charcoal filter	-
Back draught shutter	-
Inner shield	-

---

#### Electric connection

Nominal voltage (V)	220-240
Nominal frequency (Hz)	50
Nominal input power (W)	135
Electric shock protection	Class II
Plug type	Type C

---

#### Accessories

Upper decorative duct extension	No
White decorative duct	2861005
Black decorative duct	No
Island tube booster	No
Back draught shutter	2832004
MAX PRO Metal filter	No
Activated charcoal filter	2859398
Noiseless flexible duct	2893002
Recirculation kit	2894001

---