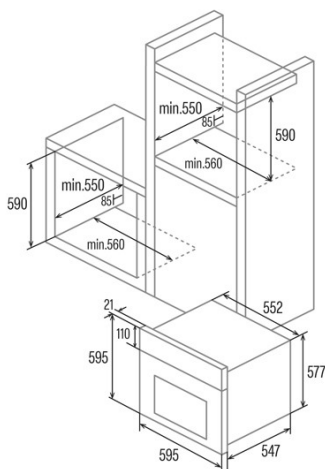




# SES 7104 X

Cod. 07044350

EAN 8422248347297



## GENERAL INFORMATION

EAN/UPC	8422248347297
Subfamily	Static

## Product sheet

Energy Efficiency Index (EEI)	95,2
Energy efficiency class	A
Energy consumption in conventional mode (kWh/cycle)	0,78
Heat source	Electricity
Number of cavities	1
Cavity volume (L)	65

## Dimensions

Width (mm)	595
Height (mm)	595
Depth (mm)	561
Built-in width (mm)	560
Built-in height (mm)	580
Built-in depth (mm)	586

## Controls

Control type	Mechanical
Display	No
Number of functions	4
Functions	Light;Grill;Bottom heating;Top and bottom heating
Timer	Mechanical
On/off indicator	√
Minimum temperature [°C]	50
Maximum temperature [°C]	250

## Characteristics

Cleaning	Aquasmart Manual
Enamel	Black
Removable inner glass	√
Light type	LED
Number of light bulbs	15
Bulb power [W]	1
Number of door glasses	2
Manual door lock	√
Soft close	-
Side racks	√
Levels	5
Telescopic guides	No
Convection fan	-

## Safety

Cooling fan	√
-------------	---

## Electrical connection

Power of the upper heating element [W]	1350 + 900
Lower power of the heating element [W]	1200
Nominal voltage (V)	220-240
Nominal frequency (Hz)	50/60
Nominal input power (W)	2300
Power cord length (m)	0,9
Plug type	No plug

## Accessories

Flat tray	-
Deep tray	√
Steam tray	-

Grill	√
Inner grill	-
Telescopic guides	-
Tray handle	-
Removable tank	-
Pizza stone	-
Roast kit	-