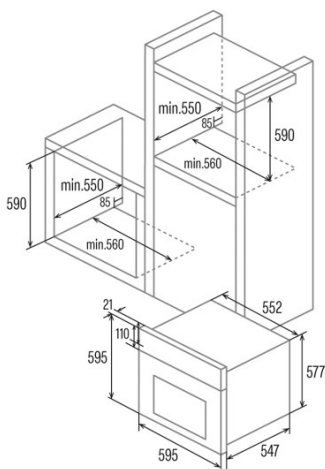
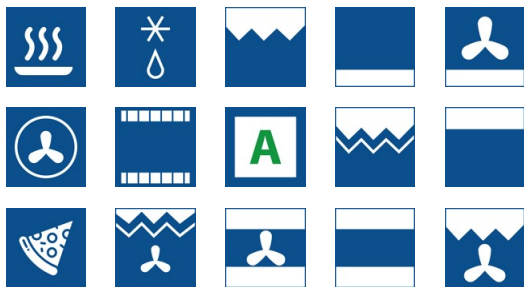




# MT 9011 PRO BK

Cod. **07047400**

EAN **8422248080637**



## GENERAL INFORMATION

|           |               |
|-----------|---------------|
| EAN/UPC   | 8422248080637 |
| Subfamily | Multifunction |

## Product sheet

|   |             |
|---|-------------|
| Energy Efficiency Index (EEI)                       | 86,6        |
| Energy efficiency class                             | A           |
| Energy consumption in conventional mode (kWh/cycle) | 0,71        |
| Energy consumption in fan mode (kWh/cycle)          | 0,81        |
| Heat source   | Electricity |
| Appliance mass [Kg]                                 | 39,5        |
| Number of cavities                                  | 1           |
| Cavity volume (L)                                   | 72          |

## Dimensions

|                      |     |
|----------------------|-----|
| Width (mm)           | 595 |
| Height (mm)          | 595 |
| Depth (mm)           | 568 |
| Built-in width (mm)  | 560 |
| Built-in height (mm) | 590 |
| Built-in depth (mm)  | 550 |

## Controls

|                          |   |
|--------------------------|---|
| Control type             | Touch control   |
| Display                  | TFT   |
| Number of functions      | 14  |
| Functions                | Defrosting; Turbo heating; Bottom heating with fan; Top heating; Bottom heating; Top and bottom heating with fan; Top and bottom heating; Grill; Fast preheat; Double grill with fan; Double Grill; Pizza; Low Temperature; Grill and fan |
| Timer                    | Electronic  |
| On/off indicator         | √   |
| Thermostat indicator     | √   |
| Minimum temperature [°C] | 50  |
| Maximum temperature [°C] | 250   |
| Thermal probe            | -   |

## Characteristics

|                        |                     |
|------------------------|---------------------|
| Cleaning               | Aquasmart Automatic |
| Enamel                 | Black               |
| Drop down grill        | -                   |
| Removable inner glass  | √                   |
| Number of light bulbs  | 25                  |
| Bulb power [W]         | 1                   |
| Number of door glasses | 3                   |
| Manual door lock       | -                   |
| Soft close             | √                   |
| Cavity type            | Flat                |
| Side racks             | √                   |
| Levels                 | 5                   |
| Telescopic guides      | 1                   |
| Convection fan         | √                   |

## Safety

|                           |   |
|---------------------------|---|
| Cooling fan               | √ |
| Overheating protection    | √ |
| Automatic safety shutdown | √ |
| Pyrolysis door lock       | - |
| Pyrolysis lock indicator  | - |

---

**Electrical connection**

|  |         |
|--|---------|
| Power of the upper heating element [W] | 900     |
| Lower power of the heating element [W] | 1100    |
| Turbocharger power [W]                 | 2000    |
| Nominal voltage (V)                    | 220-240 |
| Nominal frequency (Hz)                 | 50/60   |
| Nominal input power (W)                | 2380    |
| Electric shock protection              | Class I |
| Power cord length (m)                  | 1       |
| Plug type                              | No plug |

---

**Accessories**

|                   |   |
|-------------------|---|
| Flat tray         | √ |
| Deep tray         | √ |
| Steam tray        | - |
| Grill             | √ |
| Inner grill       | - |
| Telescopic guides | √ |
| Tray handle       | - |
| Removable tank    | - |
| Pizza stone       | - |
| Roast kit         | - |

---