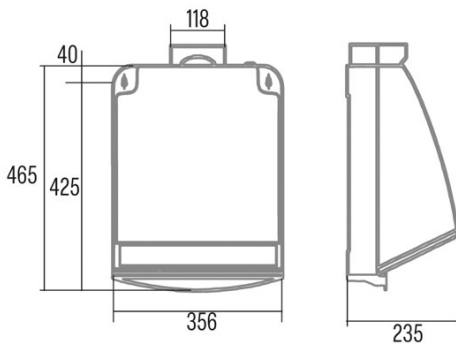




# PROFESSIONAL 750 L

Cod. 00117100

EAN 8422248100823



## GENERAL INFORMATION

EAN/UPC	8422248100823
Subfamily	Kitchen Extractor

### Product sheet according to directives EU65/2014 - EN61591, EN60704-2-13, EN50564

AEC (Annual energy consumption) (kWh/year)	66,8
EEl class (energy efficiency class)	D
FDE (fluid dynamic efficiency)	8,7
FDE class (fluid dynamic efficiency class)	E
LE (light efficiency) (lux/W)	1,5
LE class (light efficiency class)	F
GFE (grease filtering efficiency)	53,7
GFE class (grease filtering efficiency class)	F
Airflow in normal mode MAX (m3/h)	600
Acoustic power in normal mode MAX (dB)	49
Po (energy consumption in off mode) (W)	0
Ps (energy consumption in standby mode) (W)	0

### Integration directive EU 66/2014

f (time increase factor)	1,8
EEl (Energy Efficiency Index)	90,9
QBEP (maximum efficiency at air flow point) (m3/h)	278,9
PBEP (maximum efficiency at pressure point) (Pa)	102,9
WBEP (power consumption at maximum efficiency) (W)	91,9
WL (nominal power lighting system) (W)	14
EMIDDLE (Average illuminance on the cooking surface) (lux)	59

### External Dimensions

Width (mm)	356
Depth (mm)	235
Minimum total height (mm)	650
Diamètre de sortie (mm)	118

### Characteristics

Motor quantity	1
Maximum pressure (Pa)	190
Free out airflow (m3/h)	600
Filter technology	Malla
Booster	-
Timer	-
Filter saturation indicator	-
Charcoal filter replacement indicator	-
Dimmer function	-
Remote control	-

### Lighting

Ray technology	Energy Saving
----------------	---------------

### Installation

Minimum distance to electric plate (mm)	65
Minimum distance to gas plate (mm)	650
Recirculation option	-
Charcoal filter	-
Back draught shutter	-
Inner shield	-

### Electric connection

Nominal voltage (V)	230
Nominal frequency (Hz)	50
Nominal input power (W)	105
Electric shock protection	Class I

Power cord length (m)	0,5
Plug type	No plug

---

**Accessories**

---

Upper decorative duct extension	N_A
White decorative duct	N_A
Black decorative duct	N_A
Island tube booster	N_A
Back draught shutter	N_A
MAX PRO Metal filter	N_A
Activated charcoal filter	N_A
Noiseless flexible duct	N_A
Recirculation kit	N_A

---