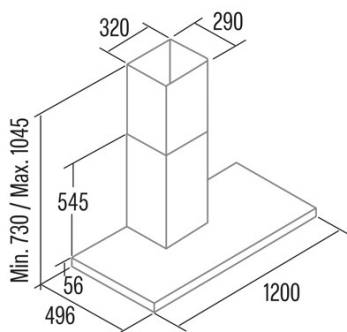




# SYGMA 12010 X

Cod. **02132305**

EAN **8422248073035**



## GENERAL INFORMATION

EAN/UPC	8422248073035
Subfamily	Box

## Product sheet according to directives EU65/2014 - EN61591, EN60704-2-13, EN50564

AEC (Annual energy consumption) (kWh/year)	536
EEl class (energy efficiency class)	A
FDE (fluid dynamic efficiency)	307
FDE class (fluid dynamic efficiency class)	A
LE (light efficiency) (Lux/W)	231
LE class (light efficiency class)	B
GFE (grease filtering efficiency)	912
GFE class (grease filtering efficiency class)	B
Airflow in normal mode MIN (m3/h)	340
Airflow in normal mode MAX (m3/h)	600
Airflow in boost mode MIN (m3/h)	802
Acoustic power in normal mode MIN (dB)	50
Acoustic power in normal mode MAX (dB)	65
Acoustic power boost mode (dB)	67
Po (energy consumption in off mode) (W)	0,48
Ps (energy consumption in standby mode) (W)	0,48

## Integration directive EU 66/2014

f (time increase factor)	0,9
EEl (Energy Efficiency Index)	521
QBEP (maximum efficiency at air flow point) (m3/h)	4431
PBEP (maximum efficiency at pressure point) (Pa)	4271
WBEP (power consumption at maximum efficiency) (W)	171
WL (nominal power lighting system) (W)	3
EMIDDLE (Average illuminance on the cooking surface) (lux)	69

## External Dimensions

Width (mm)	1200
Depth (mm)	495
Maximum total height (mm)	990
Minimum total height (mm)	745
Diamètre de sortie (mm)	150, 125

## Characteristics

Motor quantity	1
Motor model	BT3
Maximum pressure (Pa)	450
Filter technology	Aluminium mesh
Control technology	Mechanical push button
Power levels	4
Timer	√
Filter saturation indicator	√
Charcoal filter replacement indicator	√
Dimmer function	-
Connectivity	No
Remote control	-

## Lighting

Light model	SSLED
Ray technology	LED

## Installation

Minimum distance to electric plate (mm)	650
Minimum distance to gas plate (mm)	650
Recirculation option	√
Charcoal filter	√

**Electric connection**

Nominal voltage (V)	220-240
Nominal frequency (Hz)	50
Nominal input power (W)	283
Electric shock protection	Class II
Plug type	No plug

**Accessories**

Upper decorative duct extension	02861300
Island tube booster	02832004
Activated charcoal filter	02859398
Noiseless flexible duct	02893002