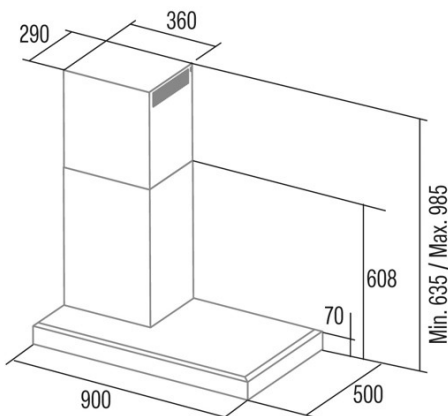




GALA 900 L

Cod. **02169304**

EAN **8422248355575**



GENERAL INFORMATION

EAN/UPC	8422248355575
Subfamily	Corner

Product sheet according to directives EU65/2014 - EN61591, EN60704-2-13, EN50564

AEC (Annual energy consumption) (kWh/year)	53,6
EEl class (energy efficiency class)	A
FDE (fluid dynamic efficiency)	30,7
FDE class (fluid dynamic efficiency class)	A
LE (light efficiency) (Lux/W)	23,1
LE class (light efficiency class)	B
GFE (grease filtering efficiency)	91,2
GFE class (grease filtering efficiency class)	B
Airflow in normal mode MIN (m3/h)	340
Airflow in normal mode MAX (m3/h)	600
Airflow in boost mode MIN (m3/h)	802
Acoustic power in normal mode MIN (dB)	50
Acoustic power in normal mode MAX (dB)	65
Acoustic power boost mode (dB)	67
Po (energy consumption in off mode) (W)	0,48
Ps (energy consumption in standby mode) (W)	0,48

Integration directive EU 66/2014

<i>f</i> (time increase factor)	0,9
EEl (Energy Efficiency Index)	52,1
QBEP (maximum efficiency at air flow point) (m3/h)	443,1
PBEP (maximum efficiency at pressure point) (Pa)	427,1
WBEP (power consumption at maximum efficiency) (W)	171
WL (nominal power lighting system) (W)	3
EMIDDLE (Average illuminance on the cooking surface) (lux)	69

External Dimensions

Width (mm)	900
Depth (mm)	500
Maximum total height (mm)	985
Minimum total height (mm)	635
Diamètre de sortie (mm)	150, 125

Characteristics

Motor quantity	1
Motor model	BT3
Maximum pressure (Pa)	470
Control technology	Mechanical push button
Booster	√
Power levels	4
Timer	√
Filter saturation indicator	√
Charcoal filter replacement indicator	√
Dimmer function	√
Connectivity	No
Remote control	-

Lighting

Light model	ECOLED STRIP
Ray technology	LED

Installation

Minimum distance to electric plate (mm)	550
Minimum distance to gas plate (mm)	650
Recirculation option	√
Charcoal filter	√

Back draught shutter	No
Inner shield	-

Electric connection

Nominal voltage (V)	220-240
Nominal frequency (Hz)	50
Nominal input power (W)	285
Electric shock protection	Class II
Plug type	Type A

Accessories

MAX PRO Metal filter	02800917
Activated charcoal filter	02859392
Noiseless flexible duct	02893002
