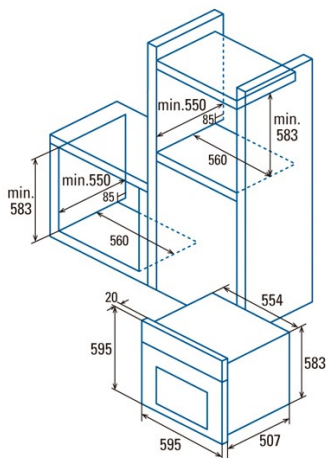




ME 6206 X

Cod. 07007303

EAN 8422248075886



GENERAL INFORMATION

EAN/UPC	8422248075886
Subfamily	Multifunction

Product sheet

Energy Efficiency Index (EEI)	102
Energy efficiency class	A
Energy consumption in conventional mode (kWh/cycle)	0,81
Energy consumption in fan mode (kWh/cycle)	0,89
Heat source	Electricity
Appliance mass [Kg]	28
Number of cavities	1
Cavity volume (L)	60

Dimensions

Width (mm)	595
Height (mm)	595
Depth (mm)	507
Built-in width (mm)	560
Built-in height (mm)	583
Built-in depth (mm)	550

Controls

Control type	Mechanical
Display	No
Number of functions	7
Functions	Top_and_Bottom_heating_with_fan;Double grill with fan;Double Grill;Grill;Top and bottom heating;Bottom heating with fan
Timer	Mechanical
On/off indicator	-
Thermostat indicator	√
Minimum temperature [°C]	50
Maximum temperature [°C]	250
Thermal probe	-

Characteristics

Cleaning	Aquasmart Manual
Enamel	Black
Drop down grill	-
Removable inner glass	√
Number of light bulbs	15
Bulb power [W]	1
Number of door glasses	2
Manual door lock	-
Soft close	-
Cavity type	Flat
Side racks	√
Levels	5
Telescopic guides	No
Convection fan	√

Safety

Cooling fan	√
Overheating protection	√
Automatic safety shutdown	√
Pyrolysis door lock	-
Pyrolysis lock indicator	-

Electrical connection

Power of the upper heating element [W]	900
Lower power of the heating element [W]	1100

Nominal voltage (V)	220-240
Nominal frequency (Hz)	50/60
Nominal input power (W)	2180
Electric shock protection	Class I
Power cord length (m)	1,4
Plug type	No plug

Accessories

Flat tray	-
Deep tray	√
Steam tray	-
Grill	√
Inner grill	-
Telescopic guides	-
Tray handle	-
Removable tank	-
Pizza stone	-
Roast kit	-
