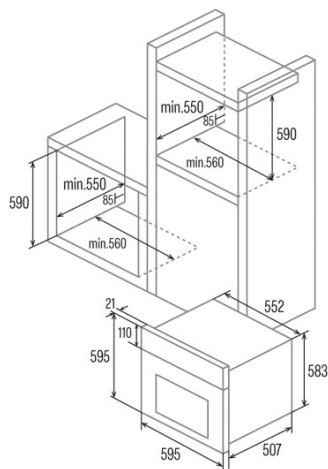




# SES 7004 X

Cod. 07044351\_

EAN 8422248347235



## GENERAL INFORMATION

|           |               |
|-----------|---------------|
| EAN/UPC   | 8422248347235 |
| Subfamily | Static        |

## Product sheet

|   |             |
|---|-------------|
| Energy Efficiency Index (EEI)                       | 95,2        |
| Energy efficiency class                             | A           |
| Energy consumption in conventional mode (kWh/cycle) | 0,76        |
| Heat source   | Electricity |
| Appliance mass [Kg]                                 | 25          |
| Number of cavities                                  | 1           |
| Cavity volume (L)                                   | 65          |

## Dimensions

|                      |     |
|----------------------|-----|
| Width (mm)           | 595 |
| Height (mm)          | 595 |
| Depth (mm)           | 519 |
| Built-in width (mm)  | 560 |
| Built-in height (mm) | 590 |
| Built-in depth (mm)  | 550 |

## Controls

|                          |   |
|--------------------------|---|
| Control type             | Mechanical  |
| Display                  | No  |
| Functions                | Top_and_bottom_heating;Light;Bottom heating;Grill |
| Timer                    | No  |
| On/off indicator         | -   |
| Thermostat indicator     | √   |
| Minimum temperature [°C] | 50  |
| Maximum temperature [°C] | 250   |

## Characteristics

|                        |           |
|------------------------|-----------|
| Cleaning               | Aquasmart |
| Removable inner glass  | √         |
| Light type             | LED       |
| Number of light bulbs  | 15        |
| Bulb power [W]         | 1         |
| Number of door glasses | 2         |
| Manual door lock       | √         |
| Soft close             | -         |
| Side racks             | -         |
| Levels                 | 5         |
| Telescopic guides      | No        |
| Convection fan         | -         |

## Safety

|                           |   |
|---------------------------|---|
| Cooling fan               | - |
| Overheating protection    | √ |
| Automatic safety shutdown | √ |
| Pyrolysis door lock       | - |
| Pyrolysis lock indicator  | - |

## Electrical connection

|  |         |
|--|---------|
| Lower power of the heating element [W] | 1200    |
| Nominal voltage (V)                    | 220-240 |
| Nominal frequency (Hz)                 | 50/60   |
| Nominal input power (W)                | 2300    |
| Power cord length (m)                  | 0,9     |

## Accessories

|           |   |
|-----------|---|
| Flat tray | √ |
|-----------|---|

