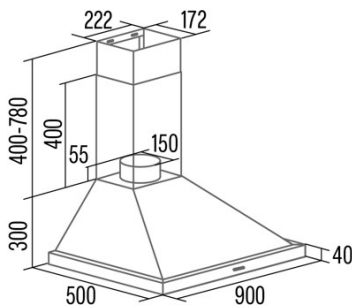




# BETA PRO 9000 X

Cod. **02075416**

EAN **8422248371513**



## GENERAL INFORMATION

|           |               |
|-----------|---------------|
| EAN/UPC   | 8422248371513 |
| Subfamily | Chimney       |

### Product sheet according to directives EU65/2014 - EN61591, EN60704-2-13, EN50564

|   |      |
|---|------|
| AEC (Annual energy consumption) (kWh/year)    | 68,1 |
| EEl class (energy efficiency class)           | A    |
| FDE (fluid dynamic efficiency)                | 29,3 |
| FDE class (fluid dynamic efficiency class)    | A    |
| LE (light efficiency) (Lux/W)                 | 28   |
| LE class (light efficiency class)             | A    |
| GFE (grease filtering efficiency)             | 75,9 |
| GFE class (grease filtering efficiency class) | C    |
| Airflow in normal mode MIN (m3/h)             | 411  |
| Airflow in normal mode MAX (m3/h)             | 561  |
| Airflow in boost mode MIN (m3/h)              | 979  |
| Acoustic power in normal mode MIN (dB)        | 64   |
| Acoustic power in normal mode MAX (dB)        | 72   |
| Acoustic power boost mode (dB)                | 75   |
| Po (energy consumption in off mode) (W)       | 0    |
| Ps (energy consumption in standby mode) (W)   | 0,48 |

### Integration directive EU 66/2014

|  |       |
|--|-------|
| f (time increase factor)                                   | 0,9   |
| EEl (Energy Efficiency Index)                              | 53,7  |
| QBEP (maximum efficiency at air flow point) (m3/h)         | 482,8 |
| PBEP (maximum efficiency at pressure point) (Pa)           | 434   |
| WBEP (power consumption at maximum efficiency) (W)         | 198,6 |
| WL (nominal power lighting system) (W)                     | 4     |
| EMIDDLE (Average illuminance on the cooking surface) (lux) | 112,5 |

### External Dimensions

|                           |      |
|---------------------------|------|
| Width (mm)                | 900  |
| Depth (mm)                | 500  |
| Maximum total height (mm) | 1080 |
| Minimum total height (mm) | 700  |
| Diamètre de sortie (mm)   | 150  |

### Characteristics

|                       |                                      |
|-----------------------|--------------------------------------|
| Motor quantity        | 1                                    |
| Motor model           | A1000                                |
| Maximum pressure (Pa) | 474,33                               |
| Control technology    | PANEL ELECTRONICO<br>DISPLAY DIGITAL |
| Power levels          | 3                                    |

### Lighting

|                |        |
|----------------|--------|
| Light model    | ECOLED |
| Ray technology | LED    |

### Installation

|   |          |
|---|----------|
| Minimum distance to electric plate (mm) | 550      |
| Minimum distance to gas plate (mm)      | 650      |
| Back draught shutter                    | Included |

### Electric connection

|                           |         |
|---------------------------|---------|
| Nominal voltage (V)       | 220-240 |
| Nominal frequency (Hz)    | 50      |
| Nominal input power (W)   | 380     |
| Electric shock protection | Class I |

## Accessories

---

Back draught shutter

02800706

---