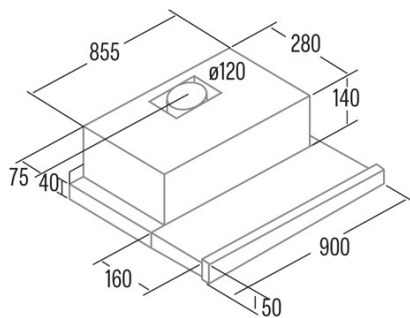




TF-2003 DURALUM 900

Cod. **02094305**

EAN **8422248061964**



GENERAL INFORMATION

| | |
|-----------|---------------|
| EAN/UPC | 8422248061964 |
| Subfamily | Telescopic |

Product sheet according to directives EU65/2014 - EN61591, EN60704-2-13, EN50564

| | |
|-----------------------------------------------|------|
| AEC (Annual energy consumption) (kWh/year) | 46,3 |
| EEl class (energy efficiency class) | C |
| FDE (fluid dynamic efficiency) | 10,1 |
| FDE class (fluid dynamic efficiency class) | E |
| LE (light efficiency) (Lux/W) | 36 |
| LE class (light efficiency class) | A |
| GFE (grease filtering efficiency) | 68 |
| GFE class (grease filtering efficiency class) | D |
| Airflow in normal mode MIN (m3/h) | 150 |
| Airflow in normal mode MAX (m3/h) | 390 |
| Acoustic power in normal mode MIN (dB) | 45 |
| Acoustic power in normal mode MAX (dB) | 57 |
| Po (energy consumption in off mode) (W) | 0 |
| Ps (energy consumption in standby mode) (W) | 0 |

Integration directive EU 66/2014

| | |
|------------------------------------------------------------|-------|
| f (time increase factor) | 1,6 |
| EEl (Energy Efficiency Index) | 81,1 |
| QBEP (maximum efficiency at air flow point) (m3/h) | 201,1 |
| PBEP (maximum efficiency at pressure point) (Pa) | 125 |
| WBEP (power consumption at maximum efficiency) (W) | 69 |
| WL (nominal power lighting system) (W) | 7 |
| EMIDDLE (Average illuminance on the cooking surface) (lux) | 252 |

External Dimensions

| | |
|---------------------------|-----|
| Width (mm) | 900 |
| Depth (mm) | 280 |
| Maximum total height (mm) | 180 |
| Minimum total height (mm) | 180 |
| Diamètre de sortie (mm) | 120 |

Characteristics

| | |
|---------------------------------------|--------------------------|
| Motor quantity | 1 |
| Motor model | TF2003 |
| Maximum pressure (Pa) | 194 |
| Filter technology | Aluminium mesh |
| Control technology | Mechanical rocker switch |
| Booster | - |
| Power levels | 2 |
| Timer | - |
| Filter saturation indicator | - |
| Charcoal filter replacement indicator | - |
| Dimmer function | - |
| Connectivity | - |
| Remote control | - |
| Display | - |

Lighting

| | |
|----------------|--------|
| Light model | EcoLed |
| Ray technology | LED |

Installation

| | |
|-----------------------------------------|-----|
| Minimum distance to electric plate (mm) | 550 |
| Minimum distance to gas plate (mm) | 650 |
| Recirculation option | √ |
| Charcoal filter | - |

| | |
|----------------------|---|
| Back draught shutter | - |
| Inner shield | √ |

Electric connection

| | |
|---------------------------|---------|
| Nominal voltage (V) | 220-240 |
| Nominal frequency (Hz) | 50 |
| Nominal input power (W) | 107 |
| Electric shock protection | Class I |
| Power cord length (m) | 1,5 |
| Plug type | No plug |

Accessories

| | |
|---------------------------------|---------|
| Upper decorative duct extension | No |
| White decorative duct | No |
| Black decorative duct | No |
| Island tube booster | No |
| Back draught shutter | 2849003 |
| MAX PRO Metal filter | No |
| Activated charcoal filter | 2825263 |
| Noiseless flexible duct | No |
| Recirculation kit | No |
