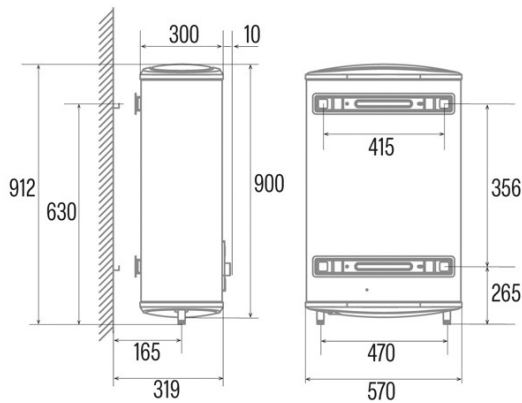




CTRS-80 REV SLIM

Cod. **03112001**

EAN **8422248081474**



GENERAL INFORMATION

| | |
|-----------|---------------|
| EAN/UPC | 8422248081474 |
| Subfamily | Electric |

Product fiche according to EU Regulation No 812/2012

| | |
|---|------|
| Declared load profile | M |
| Water heating energy class | B |
| Water heating energy efficiency (%) | 39 |
| Annual electricity consumption (kWh/year) | 1316 |
| Thermostat temperature settings | 75 |

Features

| | |
|---------------------------------|---------------------|
| Capacity (L) | 74 |
| Number of people | 2-4 |
| Instalación | Vertical/Horizontal |
| Minimum fixed temperature | 30 |
| Maximum settings temperature | 75 |
| Type of heating element | Enamel |
| Heating time 15°C-65°C (min) | 139,8 |
| Static losses at 65°C (kWh/24h) | 2,11 |
| Coating thickness (mm) | 5 |

Controls

| | |
|---------------------------------|------------|
| Control type | Electronic |
| Control position | Front |
| Electrical connection indicator | √ |
| Temperature indicator | √ |
| Heating indicator | √ |

Safety

| | |
|---------------------------------|---------|
| Overheating protection | √ |
| Safety temperature (°C) | 101 |
| Freezing protection | √ |
| Water protection index | IPX4 |
| Maximum working pressure (Mpa) | 0,75 |
| Magnesium anode dimensions (mm) | D22x296 |

Power connection

| | |
|---------------------------|---------|
| Nominal voltage (V) | 220-240 |
| Nominal frequency (Hz) | 50/60 |
| Nominal input power (W) | 2000 |
| Electric shock protection | Class I |
| Power cord length (m) | 1,5 |
| Plug type | Type F |

Installation

| | |
|-------------|-----|
| Width (mm) | 570 |
| Height (mm) | 900 |
| Depth (mm) | 300 |