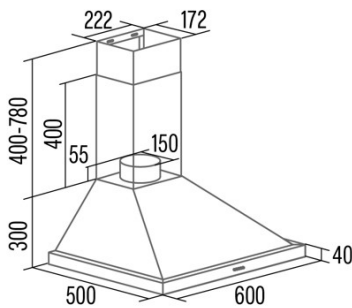




BETA PRO 6000 X

Cod. **02075418**

EAN **8422248371537**



GENERAL INFORMATION

EAN/UPC	8422248371537
Subfamily	Chimney

Product sheet according to directives EU65/2014 - EN61591, EN60704-2-13, EN50564

AEC (Annual energy consumption) (kWh/year)	63,5
EEL class (energy efficiency class)	A
FDE (fluid dynamic efficiency)	29,2
FDE class (fluid dynamic efficiency class)	A
LE (light efficiency) (Lux/W)	33
LE class (light efficiency class)	A
GFE (grease filtering efficiency)	75,2
GFE class (grease filtering efficiency class)	C
Airflow in normal mode MIN (m3/h)	441
Airflow in normal mode MAX (m3/h)	621
Airflow in boost mode MIN (m3/h)	990
Acoustic power in normal mode MIN (dB)	65
Acoustic power in normal mode MAX (dB)	71
Acoustic power boost mode (dB)	75
Po (energy consumption in off mode) (W)	0
Ps (energy consumption in standby mode) (W)	0,48

Integration directive EU 66/2014

f (time increase factor)	0,9
EEL (Energy Efficiency Index)	53,5
QBEP (maximum efficiency at air flow point) (m3/h)	457,9
PBEP (maximum efficiency at pressure point) (Pa)	422
WBEP (power consumption at maximum efficiency) (W)	183,9
WL (nominal power lighting system) (W)	4,2
EMIDDLE (Average illuminance on the cooking surface) (lux)	140,4

Characteristics

Motor quantity	1
Motor model	A1000
Maximum pressure (Pa)	473,39
Filter technology	Aluminium mesh
Control technology	PANEL ELETTRONICO DISPLAY DIGITAL
Booster	√
Power levels	3
Timer	√
Display	Display

Lighting

Light model	ECOLED
Ray technology	LED

Electric connection

Nominal voltage (V)	220-240
Nominal frequency (Hz)	50
Nominal input power (W)	383
Electric shock protection	Class I
Power cord length (m)	1,2
Plug type	Type F

Accessories

Back draught shutter	02800706
----------------------	----------

