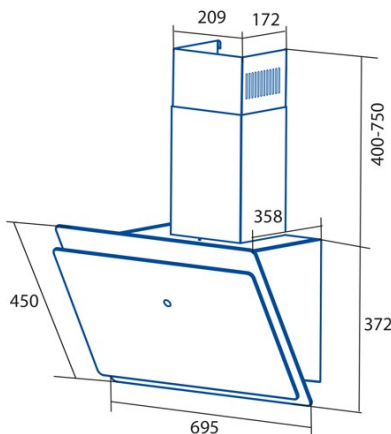


WANDA 700 XGWH

Cod. **02078006**

EAN **8422248102346**



GENERAL INFORMATION

| | |
|-----------|---------------|
| EAN/UPC | 8422248102346 |
| Subfamily | Angle Glass |

Product sheet according to directives EU65/2014 - EN61591, EN60704-2-13, EN50564

| | |
|---|--------|
| AEC (Annual energy consumption) (kWh/year) | 14,94 |
| EEl class (energy efficiency class) | AP |
| FDE (fluid dynamic efficiency) | 31,01 |
| FDE class (fluid dynamic efficiency class) | A |
| LE (light efficiency) (Lux/W) | 54,6 |
| LE class (light efficiency class) | A |
| GFE (grease filtering efficiency) | 78 |
| GFE class (grease filtering efficiency class) | C |
| Airflow in normal mode MIN (m3/h) | 234,1 |
| Airflow in normal mode MAX (m3/h) | 522,81 |
| Acoustic power in normal mode MIN (dB) | 35 |
| Acoustic power in normal mode MAX (dB) | 61,8 |
| Po (energy consumption in off mode) (W) | 0,45 |

Integration directive EU 66/2014

| | |
|--|--------|
| <i>f</i> (time increase factor) | 0,883 |
| EEl (Energy Efficiency Index) | 38,6 |
| QBEP (maximum efficiency at air flow point) (m3/h) | 248,01 |
| PBEP (maximum efficiency at pressure point) (Pa) | 178,05 |
| WBEP (power consumption at maximum efficiency) (W) | 39,55 |
| WL (nominal power lighting system) (W) | 3 |
| EMIDDLE (Average illuminance on the cooking surface) (lux) | 163,8 |

External Dimensions

| | |
|---------------------------|------|
| Width (mm) | 695 |
| Depth (mm) | 358 |
| Maximum total height (mm) | 1122 |
| Minimum total height (mm) | 772 |
| Diamètre de sortie (mm) | 150 |

Characteristics

| | |
|---------------------------------------|--------------------------|
| Motor quantity | 1 |
| Motor model | BLDC |
| Maximum pressure (Pa) | 430 |
| Free out airflow (m3/h) | 1000 |
| Filter technology | Aluminium mesh |
| Control technology | Electronic Touch Control |
| Booster | - |
| Power levels | 9 |
| Timer | √ |
| Filter saturation indicator | - |
| Charcoal filter replacement indicator | - |
| Dimmer function | - |
| Connectivity | - |
| Remote control | - |
| Display | Display |

Lighting

| | |
|----------------|-----|
| Ray technology | LED |
|----------------|-----|

Installation

| | |
|---|----------|
| Minimum distance to electric plate (mm) | 650 |
| Minimum distance to gas plate (mm) | 650 |
| Recirculation option | √ |
| Charcoal filter | - |
| Back draught shutter | Included |

Inner shield -

Electric connection

| | |
|---------------------------|---------|
| Nominal voltage (V) | 220-240 |
| Nominal frequency (Hz) | 50/60 |
| Nominal input power (W) | 73 |
| Electric shock protection | Class I |
| Plug type | Type F |

Accessories

| | |
|---------------------------------|----------|
| Upper decorative duct extension | No |
| White decorative duct | No |
| Black decorative duct | No |
| Island tube booster | No |
| Back draught shutter | Included |
| MAX PRO Metal filter | No |
| Activated charcoal filter | 2859492 |
| Noiseless flexible duct | 2893002 |
| Recirculation kit | 2894400 |
