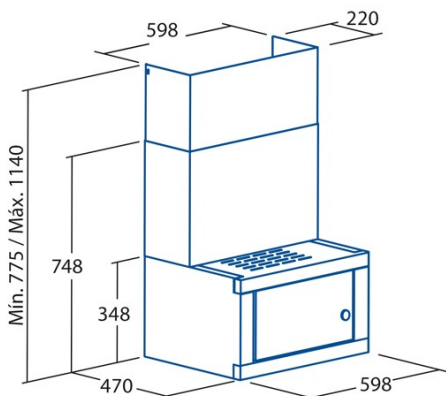




CHORUS XBK

Cod. **02165201**

EAN **8422248055529**



GENERAL INFORMATION

EAN/UPC	8422248055529
Subfamily	Box

Product sheet according to directives EU65/2014 - EN61591, EN60704-2-13, EN50564

AEC (Annual energy consumption) (kWh/year)	49
EEl class (energy efficiency class)	C
FDE (fluid dynamic efficiency)	9,8
FDE class (fluid dynamic efficiency class)	E
LE (light efficiency) (Lux/W)	36
LE class (light efficiency class)	A
GFE (grease filtering efficiency)	74,6
GFE class (grease filtering efficiency class)	D
Airflow in normal mode MIN (m3/h)	210
Airflow in normal mode MAX (m3/h)	400
Acoustic power in normal mode MIN (dB)	50
Acoustic power in normal mode MAX (dB)	62
Po (energy consumption in off mode) (W)	0
Ps (energy consumption in standby mode) (W)	0

Integration directive EU 66/2014

f (time increase factor)	1,6
EEl (Energy Efficiency Index)	82,6
QBEP (maximum efficiency at air flow point) (m3/h)	208,6
PBEP (maximum efficiency at pressure point) (Pa)	123
WBEP (power consumption at maximum efficiency) (W)	72,9
WL (nominal power lighting system) (W)	7
EMIDDLE (Average illuminance on the cooking surface) (lux)	252

External Dimensions

Width (mm)	598
Depth (mm)	470
Maximum total height (mm)	1140
Minimum total height (mm)	775
Diamètre de sortie (mm)	150, 125

Characteristics

Motor quantity	1
Motor model	K7PLUS
Maximum pressure (Pa)	200
Filter technology	Aluminium mesh
Control technology	Mechanical slider
Booster	-
Power levels	3
Timer	√
Filter saturation indicator	-
Charcoal filter replacement indicator	-
Dimmer function	-
Connectivity	-
Remote control	-
Display	-

Lighting

Light model	ECOLED 3
Ray technology	LED

Installation

Minimum distance to electric plate (mm)	592
Minimum distance to gas plate (mm)	692
Recirculation option	√
Charcoal filter	-

Back draught shutter	-
Inner shield	-

Electric connection

Nominal voltage (V)	220-240
Nominal frequency (Hz)	50
Nominal input power (W)	102
Electric shock protection	Class II
Plug type	Type C

Accessories

Back draught shutter	2832004
MAX PRO Metal filter	2800917
Activated charcoal filter	2859394
Noiseless flexible duct	2893002
