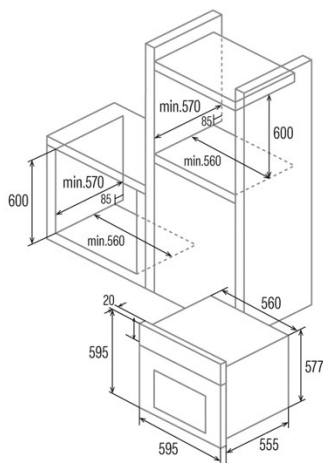
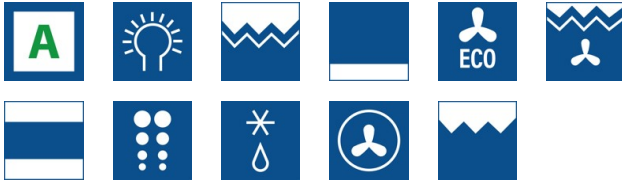




PR 6011 XGBK

Cod. 07001006

EAN 8422248103350



GENERAL INFORMATION

| | |
|-----------|---------------|
| EAN/UPC | 8422248103350 |
| Subfamily | Pyrolytic |

Product sheet

| | |
|-------------------------|-------------|
| Energy efficiency class | A |
| Heat source | Electricity |
| Number of cavities | 1 |
| Cavity volume (L) | 70 |

Dimensions

| | |
|----------------------|-----|
| Width (mm) | 595 |
| Height (mm) | 595 |
| Depth (mm) | 575 |
| Built-in width (mm) | 560 |
| Built-in height (mm) | 590 |
| Built-in depth (mm) | 560 |

Controls

| | |
|--------------------------|--|
| Control type | Touch control |
| Display | WHITE |
| Number of functions | 11 |
| Functions | Top_and_bottom_heating_with_fan;Turbocharging;Light;Top and bottom heating;Defrosting;Double Grill;Grill;Double grill with fan;Eco |
| Timer | Electronic |
| On/off indicator | √ |
| Thermostat indicator | √ |
| Minimum temperature [°C] | 50 |
| Maximum temperature [°C] | 250 |
| Thermal probe | - |

Characteristics

| | |
|------------------------|-----------|
| Cleaning | Pirolisis |
| Enamel | Black |
| Drop down grill | - |
| Removable inner glass | √ |
| Number of light bulbs | 25 |
| Bulb power [W] | 1 |
| Number of door glasses | 4 |
| Manual door lock | √ |
| Soft close | - |
| Cavity type | Flat |
| Side racks | √ |
| Levels | 5 |
| Telescopic guides | 1 |
| Convection fan | √ |

Safety

| | |
|---------------------------|---|
| Cooling fan | √ |
| Overheating protection | √ |
| Automatic safety shutdown | √ |
| Pyrolysis door lock | √ |
| Pyrolysis lock indicator | √ |

Electrical connection

| | |
|--|---------|
| Power of the upper heating element [W] | 650 |
| Lower power of the heating element [W] | 1100 |
| Turbocharger power [W] | 2000 |
| Nominal voltage (V) | 220-240 |
| Nominal frequency (Hz) | 50/60 |
| Nominal input power (W) | 3200 |

| | |
|---------------------------|---------|
| Electric shock protection | Class I |
| Power cord length (m) | 1 |
| Plug type | No plug |

Accessories

| | |
|-------------------|---|
| Flat tray | - |
| Deep tray | √ |
| Steam tray | - |
| Grill | √ |
| Inner grill | - |
| Telescopic guides | √ |
| Tray handle | - |
| Removable tank | - |
| Pizza stone | - |
| Roast kit | - |
