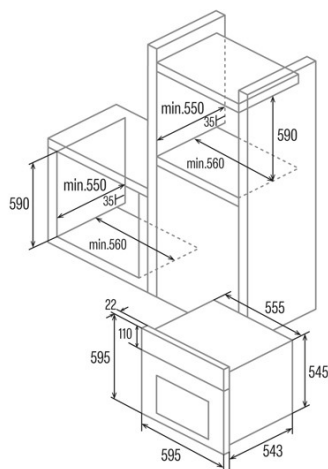
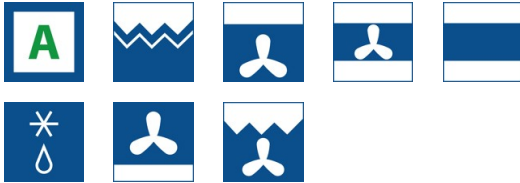




# MES 8007 X

Cod. 07044609

EAN 8422248347716



## GENERAL INFORMATION

EAN/UPC	8422248347716
Subfamily	Multifunction

## Product sheet

Energy Efficiency Index (EEl)	86,6
Energy efficiency class	A
Energy consumption in conventional mode (kWh/cycle)	0,85
Energy consumption in fan mode (kWh/cycle)	0,84
Heat source	Electricity
Appliance mass [Kg]	29,4
Number of cavities	1
Cavity volume (L)	80

## Dimensions

Width (mm)	556
Height (mm)	545
Depth (mm)	550

## Controls

Control type	Mechanical
Display	No
Number of functions	7
Functions	Grill;Defrosting;Bottom heating with fan;Top and bottom heating with fan;Grill and fan;Top and bottom heating;Top heating with fan
Timer	Mechanical
On/off indicator	√
Minimum temperature [°C]	40
Maximum temperature [°C]	240

## Characteristics

Cleaning	No
Removable inner glass	√
Light type	LED
Number of light bulbs	15
Bulb power [W]	1
Number of door glasses	2
Manual door lock	√
Soft close	-
Cavity type	Flat
Side racks	√
Levels	6
Telescopic guides	1
Convection fan	√

## Safety

Cooling fan	√
-------------	---

## Electrical connection

Nominal voltage (V)	220-240
Nominal frequency (Hz)	50/60
Nominal input power (W)	2300
Power cord length (m)	1,5

## Accessories

Flat tray	√
Deep tray	√
Grill	√
Telescopic guides	√

