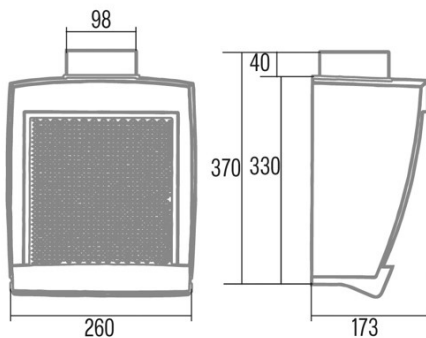




# PROFESSIONAL 500 GW

Cod. 00117400

EAN 8422248010832



## GENERAL INFORMATION

|           |                   |
|-----------|-------------------|
| EAN/UPC   | 8422248010832     |
| Subfamily | Kitchen Extractor |

### Product sheet according to directives EU65/2014 - EN61591, EN60704-2-13, EN50564

|   |      |
|---|------|
| AEC (Annual energy consumption) (kWh/year)    | 60   |
| EEL class (energy efficiency class)           | D    |
| FDE (fluid dynamic efficiency)                | 8    |
| FDE class (fluid dynamic efficiency class)    | E    |
| LE class (light efficiency class)             | N_A  |
| GFE (grease filtering efficiency)             | 51,9 |
| GFE class (grease filtering efficiency class) | F    |
| Airflow in normal mode MAX (m3/h)             | 450  |
| Acoustic power in normal mode MAX (dB)        | 57   |
| Po (energy consumption in off mode) (W)       | 0    |
| Ps (energy consumption in standby mode) (W)   | 0    |

### Integration directive EU 66/2014

|  |       |
|--|-------|
| f (time increase factor)                           | 1,8   |
| EEL (Energy Efficiency Index)                      | 90    |
| QBEP (maximum efficiency at air flow point) (m3/h) | 145,3 |
| PBEP (maximum efficiency at pressure point) (Pa)   | 152,5 |
| WBEP (power consumption at maximum efficiency) (W) | 94,5  |

### External Dimensions

|                           |     |
|---------------------------|-----|
| Width (mm)                | 260 |
| Depth (mm)                | 173 |
| Minimum total height (mm) | 650 |
| Diamètre de sortie (mm)   | 98  |

### Characteristics

|                                       |       |
|---------------------------------------|-------|
| Motor quantity                        | 1     |
| Maximum pressure (Pa)                 | 235   |
| Free out airflow (m3/h)               | 450   |
| Filter technology                     | Malla |
| Booster                               | -     |
| Timer                                 | -     |
| Filter saturation indicator           | -     |
| Charcoal filter replacement indicator | -     |
| Remote control                        | -     |

### Installation

|   |     |
|---|-----|
| Minimum distance to electric plate (mm) | 65  |
| Minimum distance to gas plate (mm)      | 650 |
| Recirculation option                    | -   |
| Charcoal filter                         | -   |
| Back draught shutter                    | -   |
| Inner shield                            | -   |

### Electric connection

|                           |          |
|---------------------------|----------|
| Nominal voltage (V)       | 230      |
| Nominal frequency (Hz)    | 50       |
| Nominal input power (W)   | 125      |
| Electric shock protection | Class II |
| Power cord length (m)     | 0,5      |
| Plug type                 | No plug  |

### Accessories

|                                 |     |
|---------------------------------|-----|
| Upper decorative duct extension | N_A |
| White decorative duct           | N_A |
| Black decorative duct           | N_A |

|                           |         |
|---------------------------|---------|
| Island tube booster       | N_A     |
| Back draught shutter      | N_A     |
| MAX PRO Metal filter      | N_A     |
| Activated charcoal filter | 1140800 |
| Noiseless flexible duct   | N_A     |
| Recirculation kit         | N_A     |