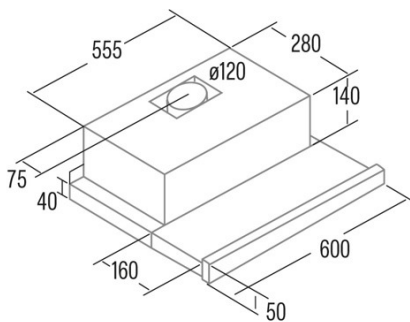




# TF-2003 600 GWH

Cod. **02017202**

EAN **8422248062008**



## GENERAL INFORMATION

|           |               |
|-----------|---------------|
| EAN/UPC   | 8422248062008 |
| Subfamily | Telescopic    |

### Product sheet according to directives EU65/2014 - EN61591, EN60704-2-13, EN50564

|   |      |
|---|------|
| AEC (Annual energy consumption) (kWh/year)    | 44,5 |
| EEl class (energy efficiency class)           | C    |
| FDE (fluid dynamic efficiency)                | 11,9 |
| FDE class (fluid dynamic efficiency class)    | E    |
| LE (light efficiency) (Lux/W)                 | 36   |
| LE class (light efficiency class)             | A    |
| GFE (grease filtering efficiency)             | 68   |
| GFE class (grease filtering efficiency class) | D    |
| Airflow in normal mode MIN (m3/h)             | 150  |
| Airflow in normal mode MAX (m3/h)             | 390  |
| Acoustic power in normal mode MIN (dB)        | 45   |
| Acoustic power in normal mode MAX (dB)        | 57   |
| Po (energy consumption in off mode) (W)       | 0    |
| Ps (energy consumption in standby mode) (W)   | 0    |

### Integration directive EU 66/2014

|  |       |
|--|-------|
| f (time increase factor)                                   | 1,6   |
| EEl (Energy Efficiency Index)                              | 78,2  |
| QBEP (maximum efficiency at air flow point) (m3/h)         | 198,2 |
| PBEP (maximum efficiency at pressure point) (Pa)           | 148   |
| WBEP (power consumption at maximum efficiency) (W)         | 68,6  |
| WL (nominal power lighting system) (W)                     | 7     |
| EMIDDLE (Average illuminance on the cooking surface) (lux) | 252   |

### External Dimensions

|                           |     |
|---------------------------|-----|
| Width (mm)                | 600 |
| Depth (mm)                | 280 |
| Maximum total height (mm) | 180 |
| Minimum total height (mm) | 180 |
| Diamètre de sortie (mm)   | 120 |

### Characteristics

|                                       |                        |
|---------------------------------------|------------------------|
| Motor quantity                        | 1                      |
| Motor model                           | TF2003                 |
| Maximum pressure (Pa)                 | 194                    |
| Filter technology                     | Aluminium mesh         |
| Control technology                    | Mechanical push button |
| Booster                               | -                      |
| Power levels                          | 2                      |
| Timer                                 | -                      |
| Filter saturation indicator           | -                      |
| Charcoal filter replacement indicator | -                      |
| Dimmer function                       | -                      |
| Connectivity                          | -                      |
| Remote control                        | -                      |
| Display                               | -                      |

### Lighting

|                |        |
|----------------|--------|
| Light model    | EcoLed |
| Ray technology | LED    |

### Installation

|   |     |
|---|-----|
| Minimum distance to electric plate (mm) | 550 |
| Minimum distance to gas plate (mm)      | 650 |
| Recirculation option                    | √   |
| Charcoal filter                         | -   |

|                      |   |
|----------------------|---|
| Back draught shutter | - |
| Inner shield         | √ |

---

### Electric connection

|                           |         |
|---------------------------|---------|
| Nominal voltage (V)       | 220-240 |
| Nominal frequency (Hz)    | 50      |
| Nominal input power (W)   | 107     |
| Electric shock protection | Class I |
| Power cord length (m)     | 1,5     |
| Plug type                 | No plug |

---

### Accessories

|                                 |         |
|---------------------------------|---------|
| Upper decorative duct extension | No      |
| White decorative duct           | No      |
| Black decorative duct           | No      |
| Island tube booster             | No      |
| Back draught shutter            | 2849003 |
| MAX PRO Metal filter            | No      |
| Activated charcoal filter       | 2825263 |
| Noiseless flexible duct         | No      |
| Recirculation kit               | No      |

---