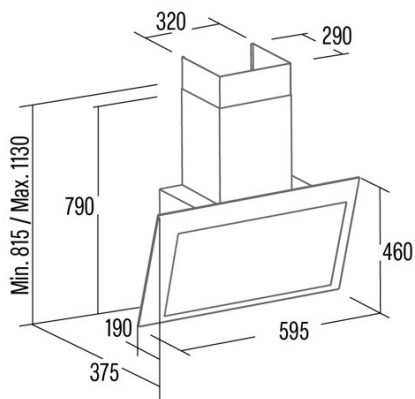




# THALASSA PRO 60 GWH

Cod. **02136007**

EAN **8422248356367**



## GENERAL INFORMATION

|           |               |
|-----------|---------------|
| EAN/UPC   | 8422248356367 |
| Subfamily | Angle Glass   |

## Product sheet according to directives EU65/2014 - EN61591, EN60704-2-13, EN50564

|   |      |
|---|------|
| AEC (Annual energy consumption) (kWh/year)    | 16,8 |
| EEl class (energy efficiency class)           | A+++ |
| FDE (fluid dynamic efficiency)                | 40,3 |
| FDE class (fluid dynamic efficiency class)    | A    |
| LE (light efficiency) (Lux/W)                 | 23,7 |
| LE class (light efficiency class)             | B    |
| GFE (grease filtering efficiency)             | 75,5 |
| GFE class (grease filtering efficiency class) | C    |
| Airflow in normal mode MIN (m3/h)             | 283  |
| Airflow in normal mode MAX (m3/h)             | 640  |
| Airflow in boost mode MIN (m3/h)              | 842  |
| Acoustic power in normal mode MIN (dB)        | 46   |
| Acoustic power in normal mode MAX (dB)        | 64   |
| Acoustic power boost mode (dB)                | 69   |
| Po (energy consumption in off mode) (W)       | 0    |
| Ps (energy consumption in standby mode) (W)   | 0,35 |

## Integration directive EU 66/2014

|  |       |
|--|-------|
| f (time increase factor)                                   | 0,5   |
| EEl (Energy Efficiency Index)                              | 27,5  |
| QBEP (maximum efficiency at air flow point) (m3/h)         | 369,6 |
| PBEP (maximum efficiency at pressure point) (Pa)           | 314   |
| WBEP (power consumption at maximum efficiency) (W)         | 80    |
| WL (nominal power lighting system) (W)                     | 3     |
| EMIDDLE (Average illuminance on the cooking surface) (lux) | 71    |

## External Dimensions

|                           |      |
|---------------------------|------|
| Width (mm)                | 600  |
| Depth (mm)                | 375  |
| Maximum total height (mm) | 1130 |
| Minimum total height (mm) | 815  |
| Diamètre de sortie (mm)   | 150  |

## Characteristics

|                                       |                          |
|---------------------------------------|--------------------------|
| Motor quantity                        | 1                        |
| Motor model                           | BT4DC                    |
| Maximum pressure (Pa)                 | 450                      |
| Filter technology                     | Aluminium mesh           |
| Control technology                    | Electronic Touch Control |
| Booster                               | ✓                        |
| Power levels                          | 6                        |
| Timer                                 | ✓                        |
| Filter saturation indicator           | ✓                        |
| Charcoal filter replacement indicator | ✓                        |
| Dimmer function                       | ✓                        |
| Connectivity                          | ✓                        |
| Remote control                        | -                        |
| Display                               | Display                  |

## Lighting

|                |       |
|----------------|-------|
| Light model    | SSLED |
| Ray technology | LED   |

## Installation

|   |     |
|---|-----|
| Minimum distance to electric plate (mm) | 450 |
| Minimum distance to gas plate (mm)      | 650 |

|                      |    |
|----------------------|----|
| Recirculation option | √  |
| Charcoal filter      | √  |
| Back draught shutter | No |
| Inner shield         | -  |

---

#### **Electric connection**

|                           |         |
|---------------------------|---------|
| Nominal voltage (V)       | 220-240 |
| Nominal frequency (Hz)    | 50/60   |
| Nominal input power (W)   | 138     |
| Electric shock protection | Class I |
| Plug type                 | No plug |

---

#### **Accessories**

|                                 |          |
|---------------------------------|----------|
| Upper decorative duct extension | 02861300 |
| White decorative duct           | 02861001 |
| Black decorative duct           | 02861401 |
| Back draught shutter            | 02832004 |
| Activated charcoal filter       | 02859318 |
| Noiseless flexible duct         | 02893002 |
| Recirculation kit               | 02800013 |

---