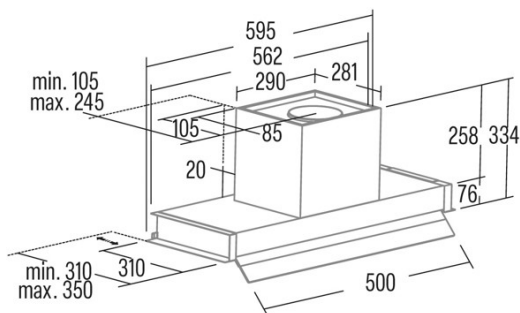




CORONA X 100

Cod. **02180308**

EAN **8422248198547**



GENERAL INFORMATION

| | |
|-----------|---------------|
| EAN/UPC | 8422248198547 |
| Subfamily | Integrated |

Product sheet according to directives EU65/2014 - EN61591, EN60704-2-13, EN50564

| | |
|---|-------|
| AEC (Annual energy consumption) (kWh/year) | 53,9 |
| EEL class (energy efficiency class) | A |
| FDE (fluid dynamic efficiency) | 30,6 |
| FDE class (fluid dynamic efficiency class) | A |
| LE (light efficiency) (Lux/W) | 55,7 |
| LE class (light efficiency class) | A |
| GFE (grease filtering efficiency) | 84,27 |
| GFE class (grease filtering efficiency class) | C |
| Airflow in normal mode MIN (m3/h) | 340 |
| Airflow in normal mode MAX (m3/h) | 600 |
| Airflow in boost mode MIN (m3/h) | 850 |
| Acoustic power in normal mode MIN (dB) | 50 |
| Acoustic power in normal mode MAX (dB) | 65 |
| Acoustic power boost mode (dB) | 67 |
| Po (energy consumption in off mode) (W) | 0,45 |
| Ps (energy consumption in standby mode) (W) | 0 |

Integration directive EU 66/2014

| | |
|--|-------|
| f (time increase factor) | 0,9 |
| QBEP (maximum efficiency at air flow point) (m3/h) | 416,9 |
| PBEP (maximum efficiency at pressure point) (Pa) | 411 |
| WBEP (power consumption at maximum efficiency) (W) | 155,7 |
| WL (nominal power lighting system) (W) | 3,5 |
| EMIDDLE (Average illuminance on the cooking surface) (lux) | 195 |

External Dimensions

| | |
|---------------------------|----------|
| Width (mm) | 1095 |
| Depth (mm) | 310 |
| Maximum total height (mm) | 334 |
| Minimum total height (mm) | 334 |
| Diamètre de sortie (mm) | 150, 125 |

Characteristics

| | |
|---------------------------------------|------------------------|
| Motor quantity | 1 |
| Motor model | BT3 |
| Maximum pressure (Pa) | 470 |
| Filter technology | Aluminium mesh |
| Control technology | Mechanical push button |
| Booster | ✓ |
| Power levels | 4 |
| Timer | ✓ |
| Filter saturation indicator | - |
| Charcoal filter replacement indicator | - |
| Dimmer function | - |
| Connectivity | No |
| Remote control | - |
| Display | - |

Lighting

| | |
|----------------|---------------|
| Light model | SSLED BICOLOR |
| Ray technology | LED |

Installation

| | |
|---|-----|
| Minimum distance to electric plate (mm) | 550 |
| Minimum distance to gas plate (mm) | 650 |
| Recirculation option | - |

| | |
|----------------------|----|
| Charcoal filter | √ |
| Back draught shutter | No |
| Inner shield | - |

Electric connection

| | |
|---------------------------|----------|
| Nominal voltage (V) | 220-240 |
| Nominal frequency (Hz) | 50 |
| Nominal input power (W) | 283,5 |
| Electric shock protection | Class II |

Accessories

| | |
|---------------------------------|----------|
| Upper decorative duct extension | 02861306 |
| Activated charcoal filter | 02859398 |
| Noiseless flexible duct | 02893002 |
