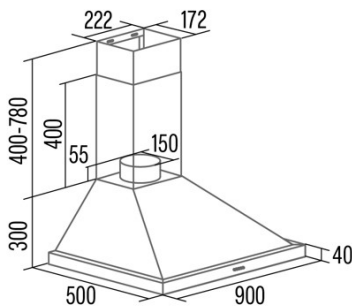




BETA PRO 9000 BK

Cod. 02075419

EAN 8422248371544



GENERAL INFORMATION

| | |
|-----------|---------------|
| EAN/UPC | 8422248371544 |
| Subfamily | Chimney |

Product sheet according to directives EU65/2014 - EN61591, EN60704-2-13, EN50564

| | |
|---|------|
| AEC (Annual energy consumption) (kWh/year) | 68,1 |
| EEl class (energy efficiency class) | A |
| FDE (fluid dynamic efficiency) | 29,3 |
| FDE class (fluid dynamic efficiency class) | A |
| LE (light efficiency) (Lux/W) | 28 |
| LE class (light efficiency class) | A |
| GFE (grease filtering efficiency) | 75,9 |
| GFE class (grease filtering efficiency class) | C |
| Airflow in normal mode MIN (m3/h) | 411 |
| Airflow in normal mode MAX (m3/h) | 561 |
| Airflow in boost mode MIN (m3/h) | 979 |
| Acoustic power in normal mode MIN (dB) | 64 |
| Acoustic power in normal mode MAX (dB) | 72 |
| Acoustic power boost mode (dB) | 75 |
| Po (energy consumption in off mode) (W) | 0 |
| Ps (energy consumption in standby mode) (W) | 0,48 |

Integration directive EU 66/2014

| | |
|--|-------|
| f (time increase factor) | 0,9 |
| EEl (Energy Efficiency Index) | 53,7 |
| QBEP (maximum efficiency at air flow point) (m3/h) | 482,8 |
| PBEP (maximum efficiency at pressure point) (Pa) | 434 |
| WBEP (power consumption at maximum efficiency) (W) | 198,6 |
| WL (nominal power lighting system) (W) | 4 |
| EMIDDLE (Average illuminance on the cooking surface) (lux) | 112,5 |

External Dimensions

| | |
|---------------------------|------|
| Width (mm) | 900 |
| Depth (mm) | 500 |
| Maximum total height (mm) | 1080 |
| Minimum total height (mm) | 700 |
| Diamètre de sortie (mm) | 150 |

Characteristics

| | |
|-----------------------|-------------------|
| Motor quantity | 1 |
| Motor model | A1000 |
| Maximum pressure (Pa) | 474,33 |
| Filter technology | Aluminium mesh |
| Control technology | PANEL ELECTRONICO |
| Booster | √ |
| Power levels | 3 |
| Timer | √ |

Lighting

| | |
|----------------|--------|
| Light model | ECOLED |
| Ray technology | LED |

Installation

| | |
|---|----------|
| Minimum distance to electric plate (mm) | 550 |
| Minimum distance to gas plate (mm) | 650 |
| Back draught shutter | Included |

Electric connection

| | |
|-------------------------|---------|
| Nominal voltage (V) | 220-240 |
| Nominal frequency (Hz) | 50 |
| Nominal input power (W) | 380 |

| | |
|---------------------------|---------|
| Electric shock protection | Class I |
| Plug type | Type F |

Accessories

| | |
|----------------------|----------|
| Back draught shutter | 02800706 |
|----------------------|----------|
