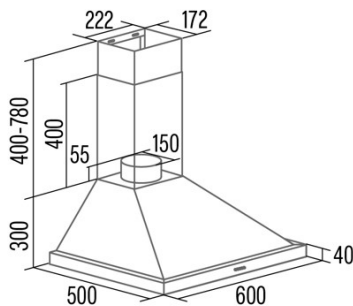




BETA PRO 6000 BK

Cod. 02075421

EAN 8422248371568



GENERAL INFORMATION

EAN/UPC	8422248371568
Subfamily	Chimney

Product sheet according to directives EU65/2014 - EN61591, EN60704-2-13, EN50564

AEC (Annual energy consumption) (kWh/year)	63,5
EEl class (energy efficiency class)	A
FDE (fluid dynamic efficiency)	29,2
FDE class (fluid dynamic efficiency class)	A
LE (light efficiency) (Lux/W)	33
LE class (light efficiency class)	A
GFE (grease filtering efficiency)	75,2
GFE class (grease filtering efficiency class)	C
Airflow in normal mode MIN (m3/h)	441
Airflow in normal mode MAX (m3/h)	621
Airflow in boost mode MIN (m3/h)	990
Acoustic power in normal mode MIN (dB)	65
Acoustic power in normal mode MAX (dB)	71
Acoustic power boost mode (dB)	75
Po (energy consumption in off mode) (W)	0
Ps (energy consumption in standby mode) (W)	0,48

Integration directive EU 66/2014

f (time increase factor)	0,9
EEl (Energy Efficiency Index)	53,5
QBEP (maximum efficiency at air flow point) (m3/h)	457,9
PBEP (maximum efficiency at pressure point) (Pa)	422
WBEP (power consumption at maximum efficiency) (W)	183,9
WL (nominal power lighting system) (W)	4,2
EMIDDLE (Average illuminance on the cooking surface) (lux)	140,4

External Dimensions

Width (mm)	600
Depth (mm)	500
Maximum total height (mm)	1080
Minimum total height (mm)	700
Diamètre de sortie (mm)	150

Characteristics

Motor quantity	1
Motor model	A1000
Maximum pressure (Pa)	473,39
Filter technology	Aluminium mesh
Control technology	PANEL ELECTRONICO DISPLAY DIGITAL
Booster	√
Power levels	3
Timer	√

Lighting

Light model	ECOLED
Ray technology	LED

Installation

Minimum distance to electric plate (mm)	550
Minimum distance to gas plate (mm)	650
Charcoal filter	√
Back draught shutter	Included

Electric connection

Nominal voltage (V)	220-240
---------------------	---------

Nominal frequency (Hz)	50
Nominal input power (W)	383
Electric shock protection	Class I
Plug type	Type F

Accessories

Back draught shutter	02800706
----------------------	----------
