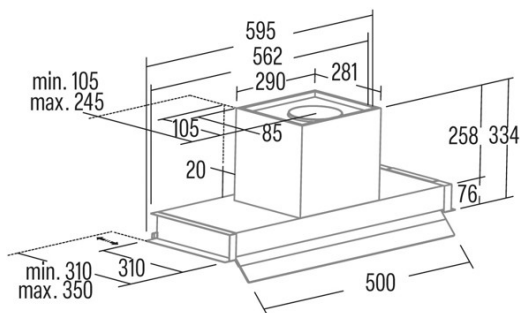


# CORONA X 120

Cod. **02181308**

EAN **8422248110525**



## GENERAL INFORMATION

|           |               |
|-----------|---------------|
| EAN/UPC   | 8422248110525 |
| Subfamily | Integrated    |

### Product sheet according to directives EU65/2014 - EN61591, EN60704-2-13, EN50564

|   |       |
|---|-------|
| AEC (Annual energy consumption) (kWh/year)    | 53,9  |
| EEL class (energy efficiency class)           | A     |
| FDE (fluid dynamic efficiency)                | 30,6  |
| FDE class (fluid dynamic efficiency class)    | A     |
| LE (light efficiency) (lux/W)                 | 55,7  |
| LE class (light efficiency class)             | A     |
| GFE (grease filtering efficiency)             | 84,27 |
| GFE class (grease filtering efficiency class) | C     |
| Airflow in normal mode MIN (m3/h)             | 340   |
| Airflow in normal mode MAX (m3/h)             | 600   |
| Airflow in boost mode MIN (m3/h)              | 850   |
| Acoustic power in normal mode MIN (dB)        | 50    |
| Acoustic power in normal mode MAX (dB)        | 65    |
| Acoustic power boost mode (dB)                | 67    |
| Po (energy consumption in off mode) (W)       | 0,45  |
| Ps (energy consumption in standby mode) (W)   | 0     |

### Integration directive EU 66/2014

|  |       |
|--|-------|
| f (time increase factor)                                   | 0,9   |
| QBEP (maximum efficiency at air flow point) (m3/h)         | 416,9 |
| PBEP (maximum efficiency at pressure point) (Pa)           | 411   |
| WBEP (power consumption at maximum efficiency) (W)         | 155,7 |
| WL (nominal power lighting system) (W)                     | 3,5   |
| EMIDDLE (Average illuminance on the cooking surface) (lux) | 195   |

### External Dimensions

|                           |          |
|---------------------------|----------|
| Width (mm)                | 1195     |
| Depth (mm)                | 310      |
| Maximum total height (mm) | 334      |
| Minimum total height (mm) | 334      |
| Diamètre de sortie (mm)   | 150, 125 |

### Characteristics

|                                       |                        |
|---------------------------------------|------------------------|
| Motor quantity                        | 1                      |
| Motor model                           | BT3                    |
| Maximum pressure (Pa)                 | 470                    |
| Filter technology                     | Aluminium mesh         |
| Control technology                    | Mechanical push button |
| Booster                               | ✓                      |
| Power levels                          | 4                      |
| Timer                                 | ✓                      |
| Filter saturation indicator           | -                      |
| Charcoal filter replacement indicator | -                      |
| Dimmer function                       | -                      |
| Connectivity                          | No                     |
| Remote control                        | -                      |
| Display                               | -                      |

### Lighting

|                |               |
|----------------|---------------|
| Light model    | SSLED BICOLOR |
| Ray technology | LED           |

### Installation

|   |     |
|---|-----|
| Minimum distance to electric plate (mm) | 550 |
| Minimum distance to gas plate (mm)      | 650 |
| Recirculation option                    | -   |

|                      |    |
|----------------------|----|
| Charcoal filter      | √  |
| Back draught shutter | No |
| Inner shield         | -  |

---

**Electric connection**

|                           |          |
|---------------------------|----------|
| Nominal voltage (V)       | 220-240  |
| Nominal frequency (Hz)    | 50       |
| Nominal input power (W)   | 283,5    |
| Electric shock protection | Class II |

---

**Accessories**

|                                 |          |
|---------------------------------|----------|
| Upper decorative duct extension | 02861306 |
| Activated charcoal filter       | 02859398 |
| Noiseless flexible duct         | 02893002 |

---